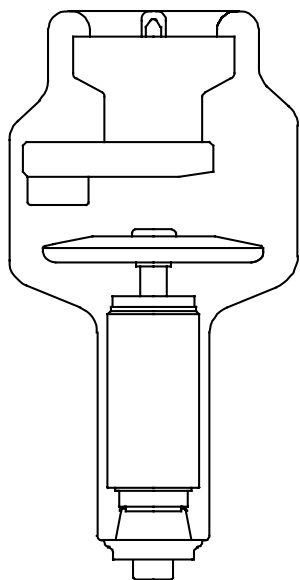




Documentazione Tubo a raggi X
Tube Documentation
Documentation du Tube

RTM 90 HS 1.0/2.0



Nr. di matricola
Tube No.
Nr de série

CE 0051

Questa documentazione deve essere fornita all'utilizzatore del complesso tubo-guaina
The contents of this documentation must be transmitted to the user of the tube-assembly
Le contenu de cette documentation doit être transmis à l'utilisateur de la gaine équipée

| Documentazione N° Documentation N° N° de Documentation | Revisione Edition Version | Data di edizione Date of release Date de l'édition | Testo originale Original text Texte original |
|--|---------------------------------|--|--|
| 90_SAK | A | 04.09.2009 | italiano / italian / italien |

I.A.E Spa

via Fabio Filzi, 53 - 20032 CORMANO (MI) Italy
Tel: ++39-0266303255 Fax: ++39-026152544
<http://www.iae.it> e-mail: iaexray@iae.it





Sommario - Table of contents - Table des matières

| | |
|--|----|
| Sommario - Table of contents - Table des matières | 2 |
| Caratteristiche - Specifications - Spécifications | 3 |
| Versione standard - Standard version - Version standard | 4 |
| Versione speciale per sostituzione in cuffie GE-CGR e SIEMENS Special version for reloading in GE-CGR and SIEMENS housings Version spéciale pour remise en gaine GE-CGR et SIEMENS | 4 |
| Curve di riscaldamento e raffreddamento dell'anodo Anode heating and cooling curves Courbes d'échauffement et de refroidissement de l'anode | 5 |
| CURVE DI CARICO SINGOLO - SINGLE LOAD RATING - ABAQUE DE CHARGE UNIQUE <input type="checkbox"/> 1.0 - 1 ~ - 3000 min ⁻¹ | 6 |
| CURVE DI CARICO SINGOLO - SINGLE LOAD RATING - ABAQUE DE CHARGE UNIQUE <input type="checkbox"/> 2.0 - 1 ~ - 3000 min ⁻¹ | 6 |
| CURVE DI CARICO SINGOLO - SINGLE LOAD RATING - ABAQUE DE CHARGE UNIQUE <input type="checkbox"/> 1.0 - 3 ~ - 3000 min ⁻¹ | 7 |
| CURVE DI CARICO SINGOLO - SINGLE LOAD RATING - ABAQUE DE CHARGE UNIQUE <input type="checkbox"/> 2.0 - 3 ~ - 3000 min ⁻¹ | 7 |
| CURVE DI CARICO SINGOLO - SINGLE LOAD RATING - ABAQUE DE CHARGE UNIQUE <input type="checkbox"/> 1.0 - 1 ~ - 10000 min ⁻¹ | 8 |
| CURVE DI CARICO SINGOLO - SINGLE LOAD RATING - ABAQUE DE CHARGE UNIQUE <input type="checkbox"/> 2.0 - 1 ~ - 10000 min ⁻¹ | 8 |
| CURVE DI CARICO SINGOLO - SINGLE LOAD RATING - ABAQUE DE CHARGE UNIQUE <input type="checkbox"/> 1.0 - 3 ~ - 10000 min ⁻¹ | 9 |
| CURVE DI CARICO SINGOLO - SINGLE LOAD RATING - ABAQUE DE CHARGE UNIQUE <input type="checkbox"/> 2.0 - 3 ~ - 10000 min ⁻¹ | 9 |
| Abaco per carichi in serie - Serial load rating - Abaque de charges successives <input type="checkbox"/> 1.0 - 1 ~ - 3000 min ⁻¹ | 10 |
| Abaco per carichi in serie - Serial load rating - Abaque de charges successives <input type="checkbox"/> 2.0 - 1 ~ - 3000 min ⁻¹ | 11 |
| Abaco per carichi in serie - Serial load rating - Abaque de charges successives <input type="checkbox"/> 1.0 - 3 ~ - 3000 min ⁻¹ | 12 |
| Abaco per carichi in serie - Serial load rating - Abaque de charges successives <input type="checkbox"/> 2.0 - 3 ~ - 3000 min ⁻¹ | 13 |
| Abaco per carichi in serie - Serial load rating - Abaque de charges successives <input type="checkbox"/> 1.0 - 1 ~ - 10000 min ⁻¹ | 14 |
| Abaco per carichi in serie - Serial load rating - Abaque de charges successives <input type="checkbox"/> 2.0 - 1 ~ - 10000 min ⁻¹ | 15 |
| Abaco per carichi in serie - Serial load rating - Abaque de charges successives <input type="checkbox"/> 1.0 - 3 ~ - 10000 min ⁻¹ | 16 |
| Abaco per carichi in serie - Serial load rating - Abaque de charges successives <input type="checkbox"/> 2.0 - 3 ~ - 10000 min ⁻¹ | 17 |
| Caratteristica di emissione del catodo Cathode emission characteristic Caractéristique d'émission de la cathode <input type="checkbox"/> 1.0 - 3 ~ - (± 0.2 A)18 | |
| Caratteristica di emissione del catodo Cathode emission characteristic Caractéristique d'émission de la cathode <input type="checkbox"/> 2.0 - 3 ~ - (± 0.2 A)18 | |

Dichiarazione di conformità

Questo prodotto soddisfa i requisiti essenziali della direttiva 93/42/CEE
in accordo alle norme EN 60613 (IEC 613) e EN 60336 (IEC 336)

Declaration of conformity





This tube fulfils the essential requirements of the directive 93/42/EEC
according to standard EN 60613 (IEC 613) and EN 60336 (IEC 336).

Confirmation de conformité

Ce tube remplit les exigences essentielles de la directive 93/42/CEE en
accord avec les normes EN 60613 (IEC 613) et EN 60336 (IEC 336).



Caratteristiche - Specifications - Spécifications

| | | |
|---|---|---------------------|
| Macchie focali Focal spot Foyer |  1.0  2.0 | (IEC 336, EN 60336) |
| Velocità di rotazione dell'anodo Anode speed Vitesse de l'anode | 3000 min ⁻¹ 10000 min ⁻¹ | |
| Potenza anodica nominale Nominal anode input power Puissance anodique nominale |  40 kW 70 kW  75 kW 137 kW | (IEC 613, EN 60613) |
| Diametro anodico Anode diameter Diamètre de l'anode | 90 mm | |
| Materiale anodico Anode material Matériau de l'anode | RT-TZM-C | |
| Angolo anodico Anode angle Pente de l'anode | 12.5 ° | |
| Campo di radiazione Radiation field Champ de rayonnement | a 70 cm 30 cm a 100 cm 43 cm | |
| Filtrazione inerente Inherent filtration Filtration inhérente | 0.7 mm Al eq | (IEC 522) |
| Capacità termica anodica Maximum anode heat content Chaleur maximale accumulée dans l'anode | 225 kJ 300 kHU | |
| Dissipazione termica continua massima Maximum continuous heat dissipation Dissipation thermique continue maximale | 750 W 60 000 HU/min | |
| Dissipazione termica massima Maximum heat dissipation Dissipation thermique maximale | 1300 W 104 000 HU/min | |
| Alta tensione nominale Nominal X-ray tube voltage Haute tension nominale | 150 kV | |
| Massima corrente di filamento Max. filament current Courant dans le filament max. | 5.4 A | |

I dati forniti nella presente documentazione si intendono riferiti a:

The data indicated in this documentation refer to:

Les données indiquées dans cette documentation sont calculées pour:

Potenza anodica di equilibrio termico

Equivalent anode input power

Puissance anodique d'équilibre thermique

100 W =

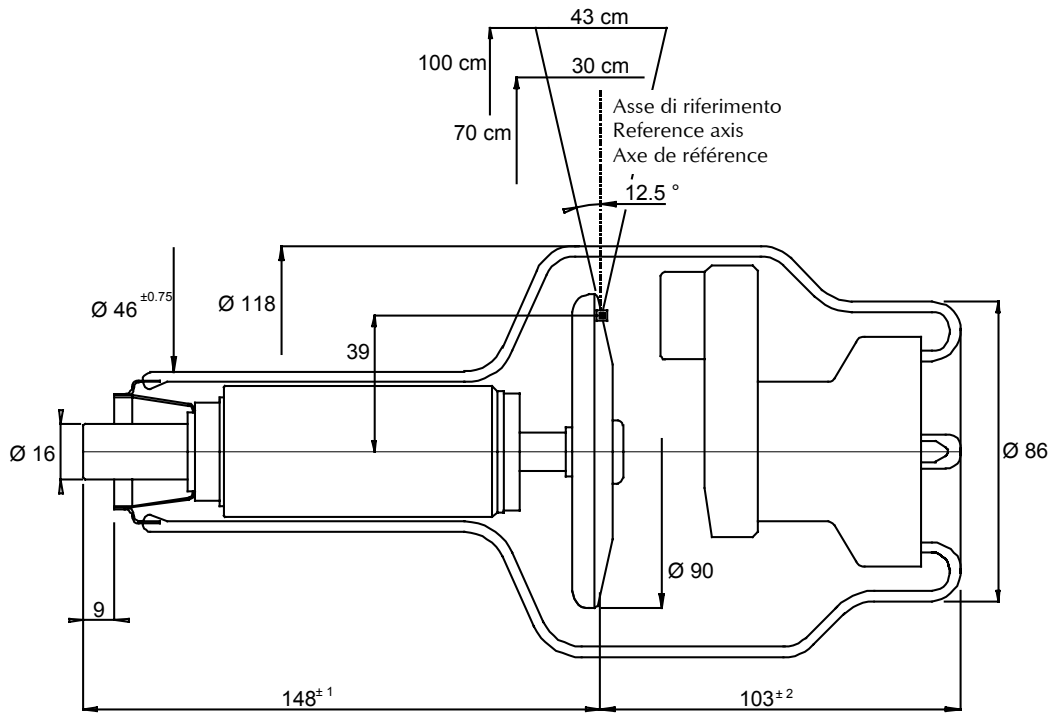
% della capacità termica anodica

% of maximum anode heat content

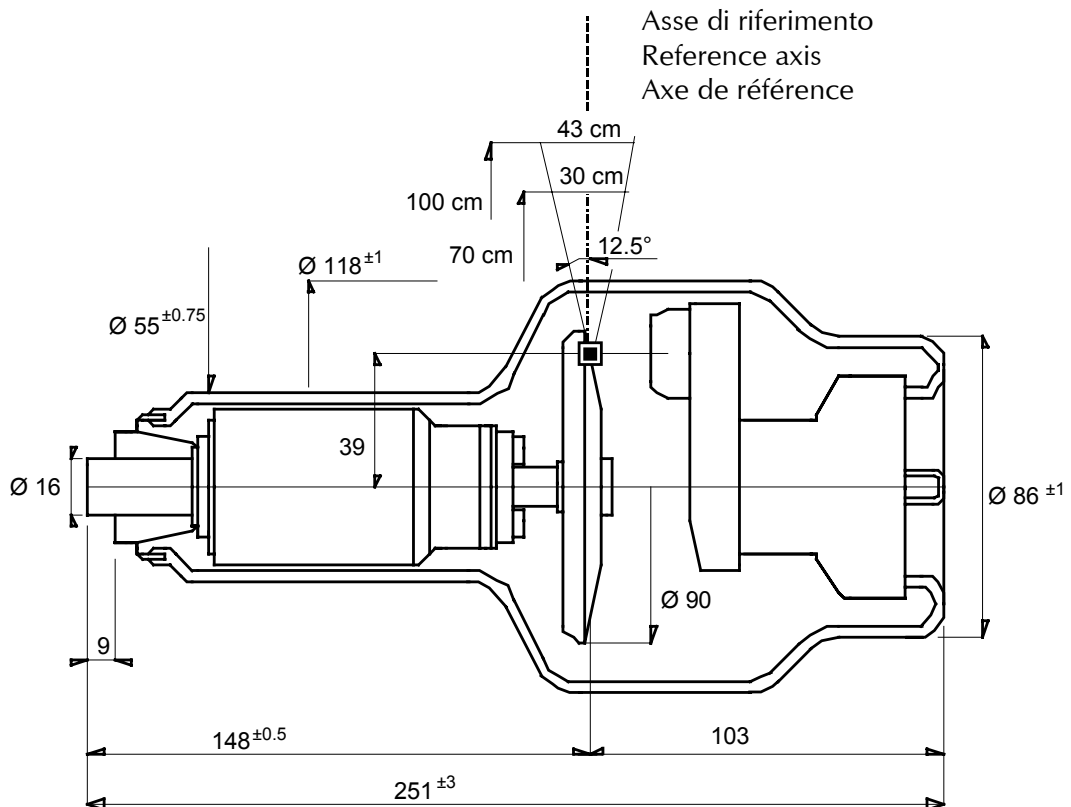
% de chaleur max. accumulée dans l'anode

38%

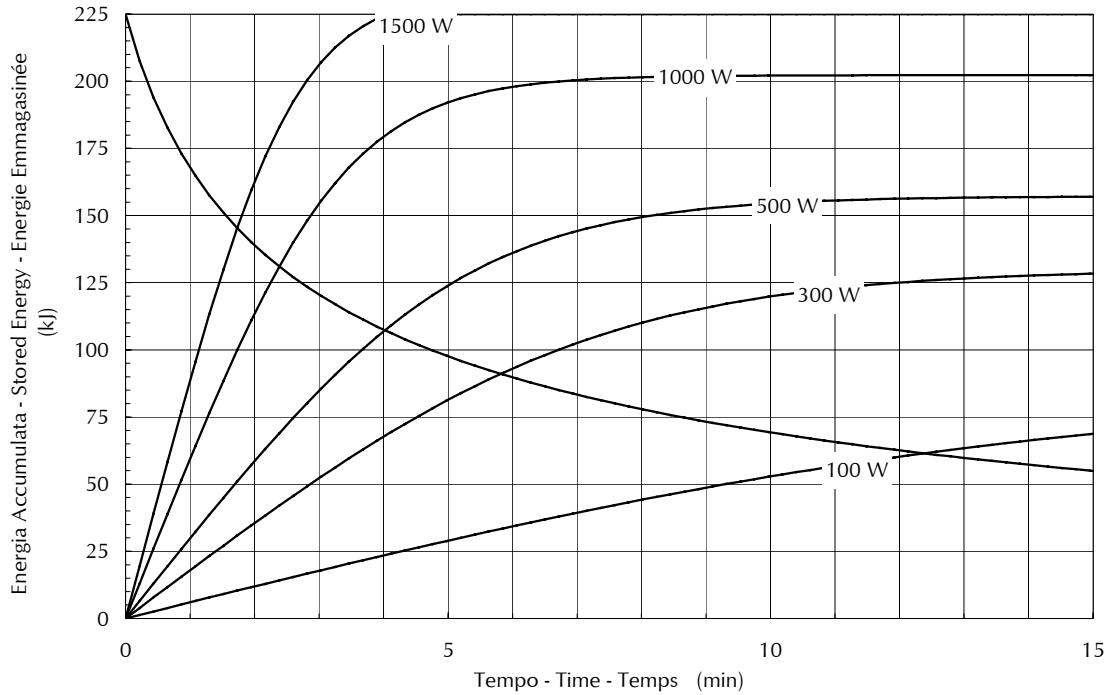
Versione standard - Standard version - Version standard



**Versione speciale per sostituzione in cuffie GE-CGR e SIEMENS
 Special version for reloading in GE-CGR and SIEMENS housings
 Version spéciale pour remise en gaine GE-CGR et SIEMENS**



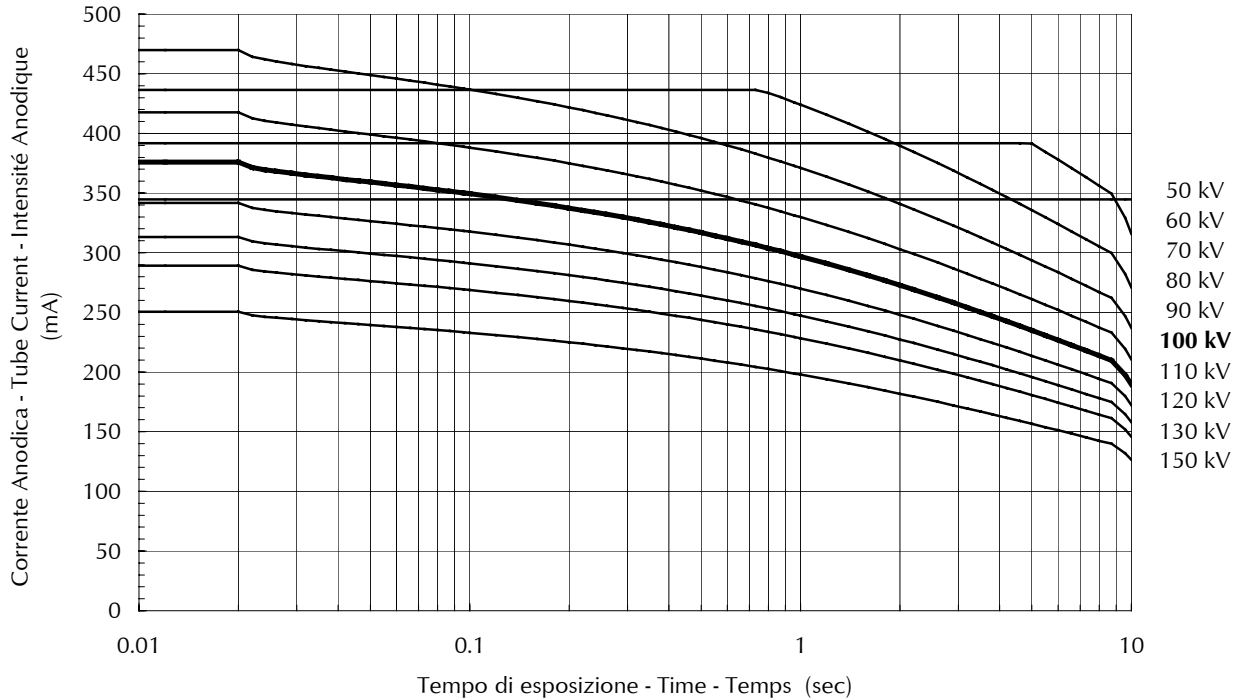
Curve di riscaldamento e raffreddamento dell'anodo
Anode heating and cooling curves
Courbes d'échauffement et de refroidissement de l'anode





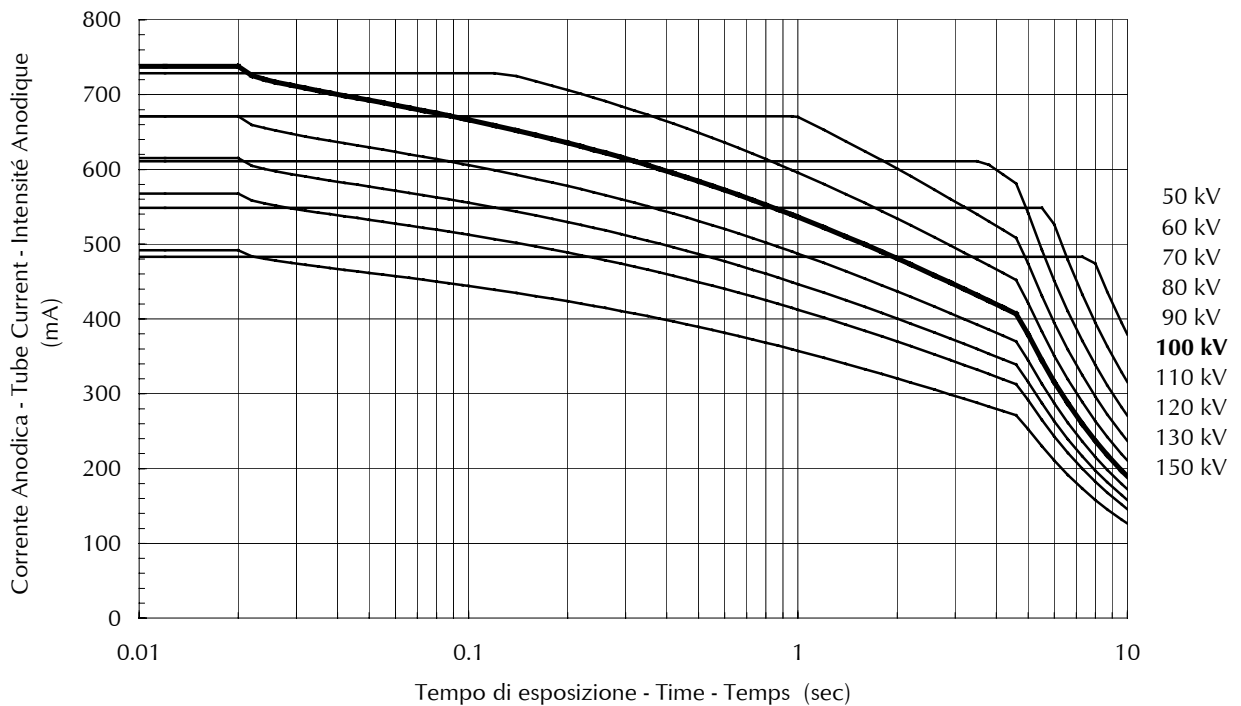
CURVE DI CARICO SINGOLO - SINGLE LOAD RATING - ABAQUE DE CHARGE UNIQUE

▣ 1.0 - 1 ~ - 3000 min⁻¹



CURVE DI CARICO SINGOLO - SINGLE LOAD RATING - ABAQUE DE CHARGE UNIQUE

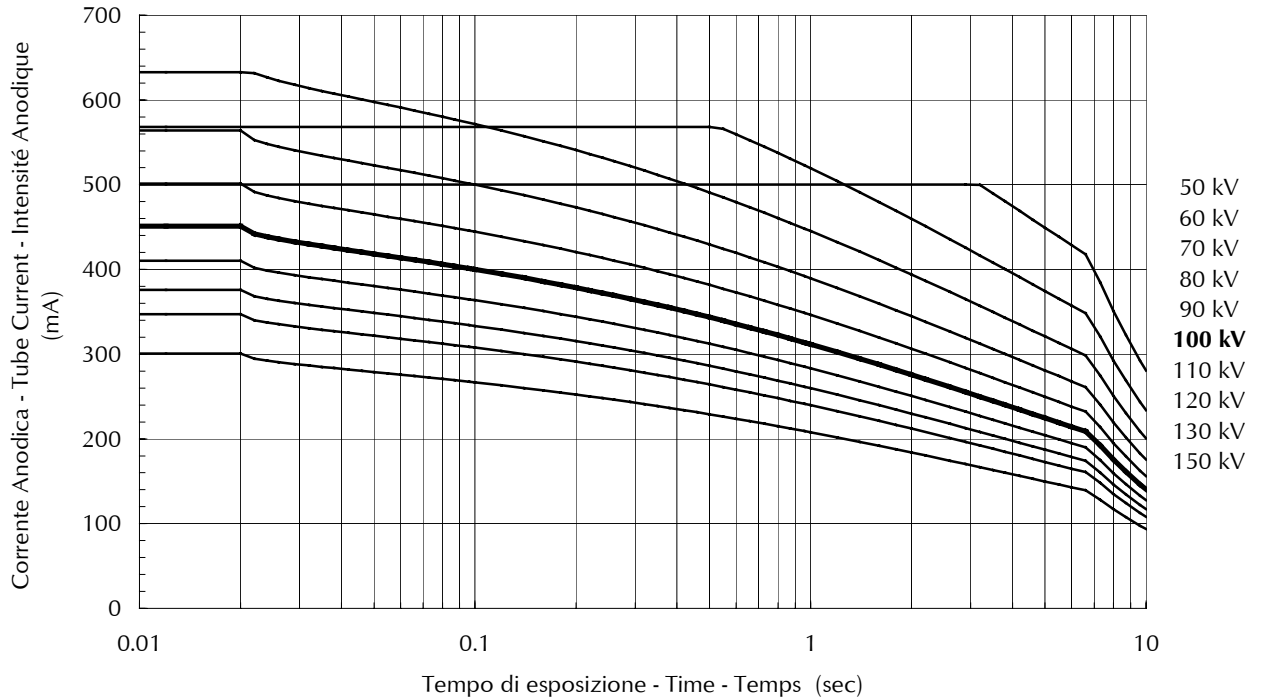
■ 2.0 - 1 ~ - 3000 min⁻¹





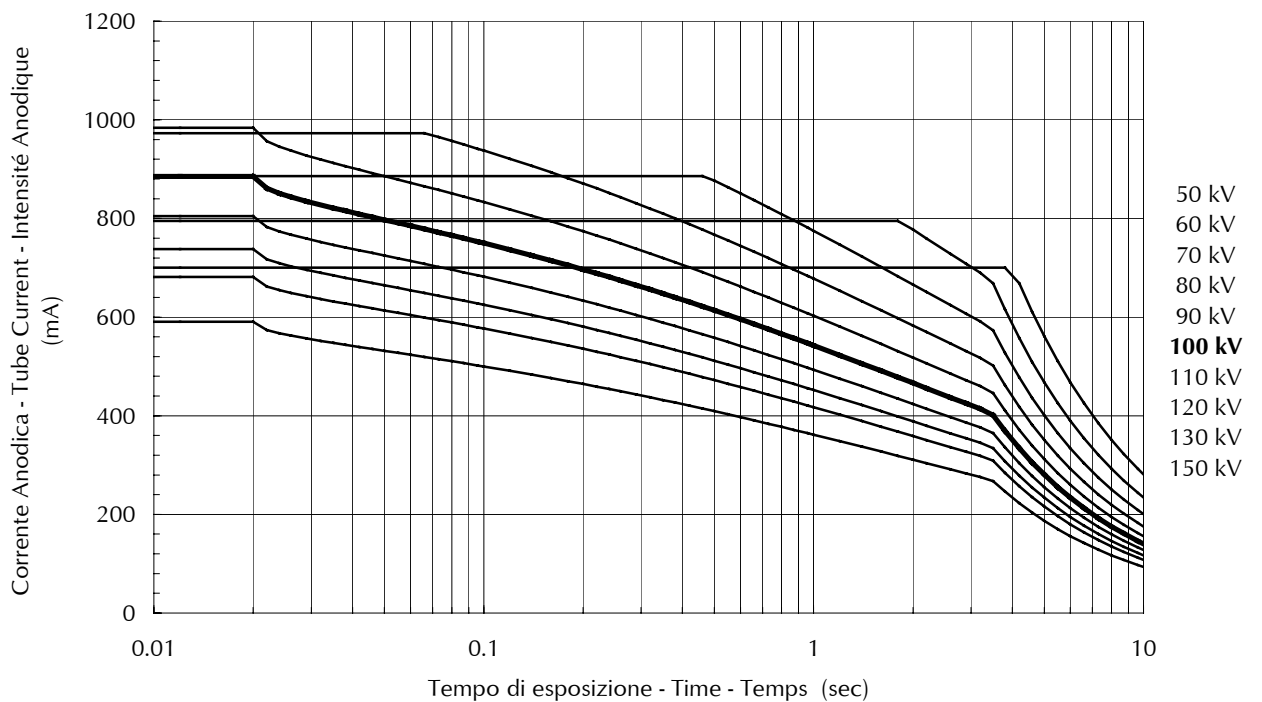
CURVE DI CARICO SINGOLO - SINGLE LOAD RATING - ABAQUE DE CHARGE UNIQUE

▣ 1.0 - 3 ~ - 3000 min⁻¹



CURVE DI CARICO SINGOLO - SINGLE LOAD RATING - ABAQUE DE CHARGE UNIQUE

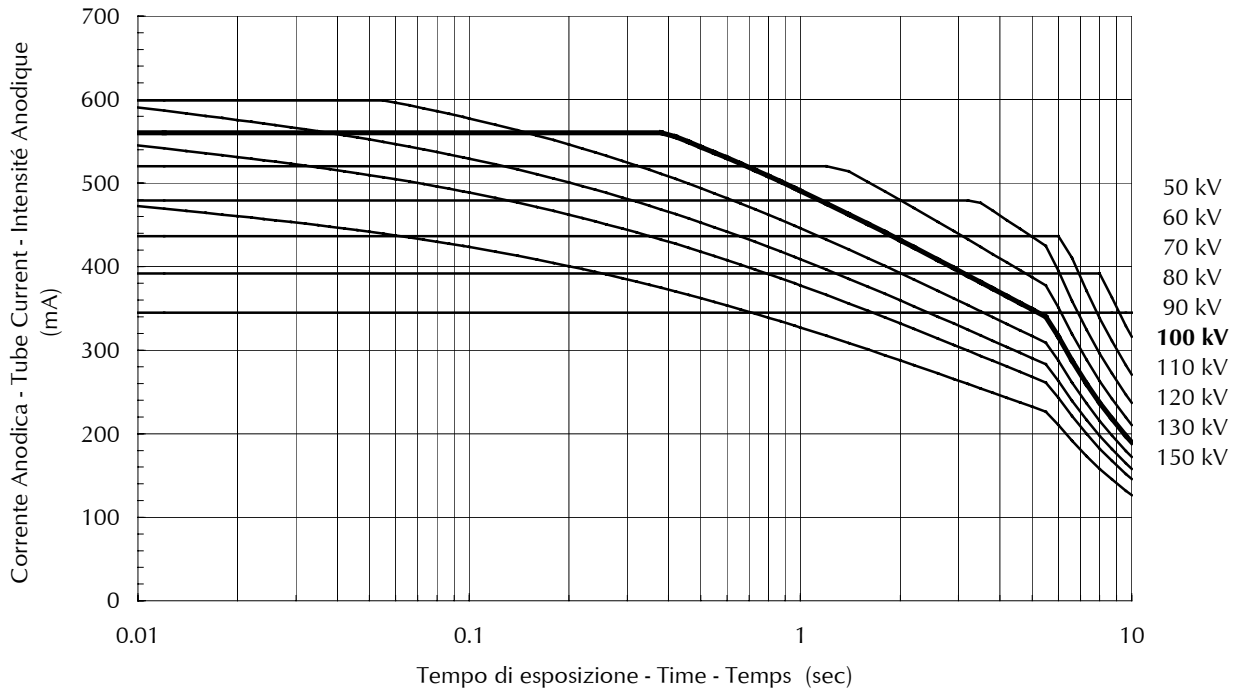
■ 2.0 - 3 ~ - 3000 min⁻¹





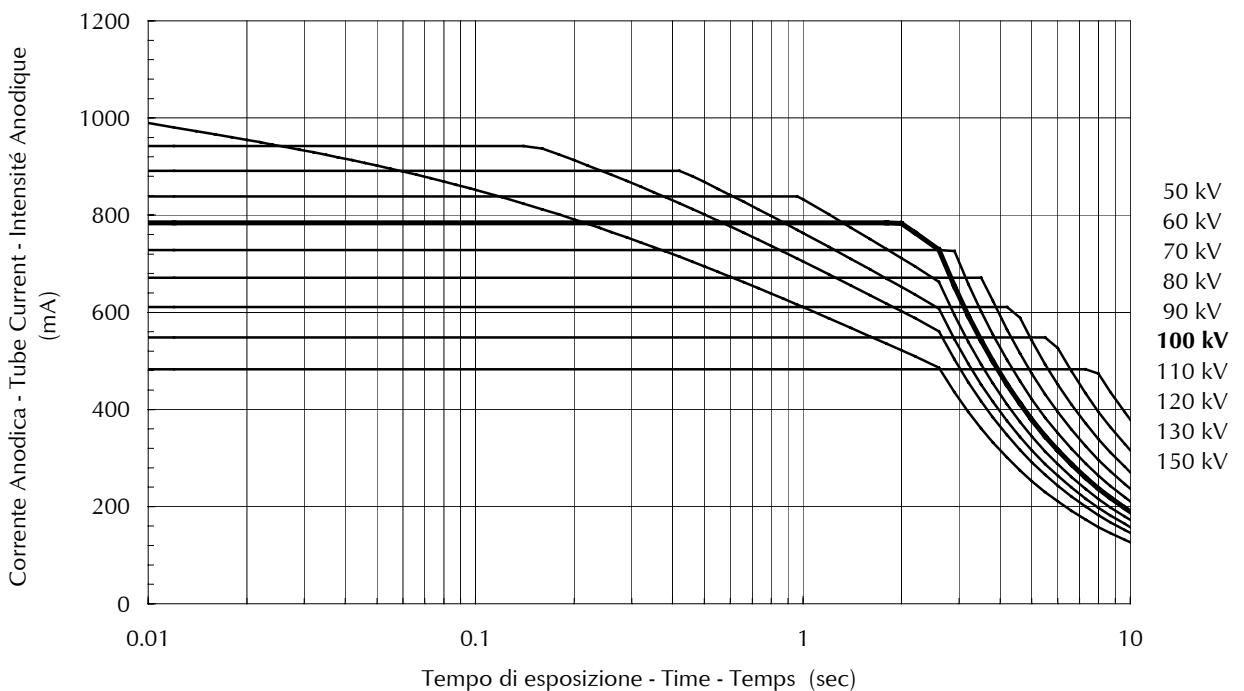
CURVE DI CARICO SINGOLO - SINGLE LOAD RATING - ABAQUE DE CHARGE UNIQUE

▣ 1.0 - 1 ~ - 10000 min⁻¹



CURVE DI CARICO SINGOLO - SINGLE LOAD RATING - ABAQUE DE CHARGE UNIQUE

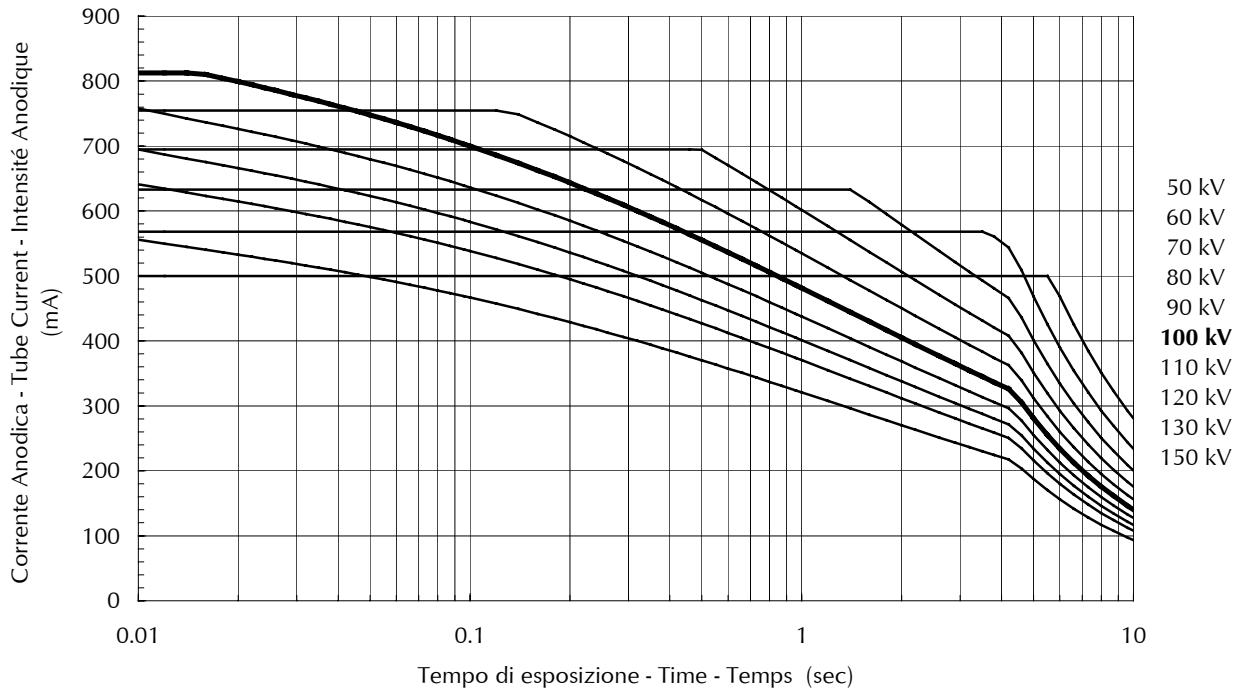
■ 2.0 - 1 ~ - 10000 min⁻¹





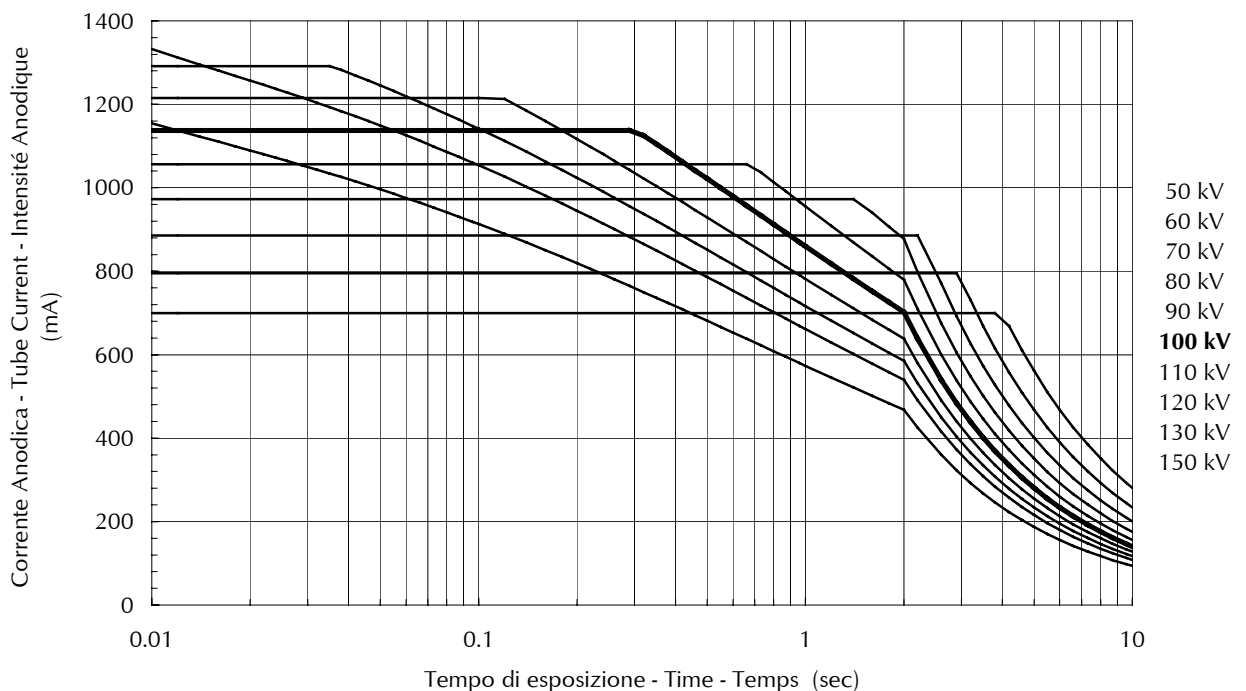
CURVE DI CARICO SINGOLO - SINGLE LOAD RATING - ABAQUE DE CHARGE UNIQUE

▣ 1.0 - 3 ~ - 10000 min⁻¹



CURVE DI CARICO SINGOLO - SINGLE LOAD RATING - ABAQUE DE CHARGE UNIQUE

■ 2.0 - 3 ~ - 10000 min⁻¹





Abaco per carichi in serie - Serial load rating - Abaque de charges successives

▣ **1.0 - 1 ~ - 3000 min⁻¹**

| Potenza ammessa sul tubo in kW, per serie di n esposizioni, con frequenza z e durata di ogni esposizione in sec Anode input power as a function of n (N° of exposures in series), z (exp. rate per sec), the exposure time (sec) Puissance anodique en fonction de n (N° d'exp. de la séries), z (cadence d'exp. par sec), temps d'exposition (sec) | | | | | | | | | | | | | | | | |
|---|-------|-------|-------|-------|-------|-------|-------|-------|-------|-------|-------|-------|-------|-------|-------|-----|
| z | 0.010 | 0.020 | 0.030 | 0.040 | 0.050 | 0.060 | 0.080 | 0.100 | 0.120 | 0.140 | 0.160 | 0.180 | 0.200 | 0.220 | 0.250 | n |
| 1 | 29.6 | 29.6 | 29.0 | 28.6 | 28.2 | 28.0 | 27.5 | 27.2 | 26.9 | 26.6 | 26.4 | 26.1 | 25.7 | 25.4 | 24.9 | 5 |
| 2 | 29.4 | 29.4 | 29.0 | 28.6 | 28.2 | 28.0 | 27.5 | 26.9 | 26.3 | 25.8 | 25.3 | 24.8 | 24.3 | 23.9 | 23.2 | |
| 3 | 29.2 | 29.2 | 28.8 | 28.4 | 28.0 | 27.7 | 26.9 | 26.3 | 25.6 | 25.0 | 24.4 | 23.9 | 23.3 | 22.8 | 22.1 | |
| 4 | 29.1 | 29.1 | 28.6 | 28.2 | 27.8 | 27.3 | 26.5 | 25.8 | 25.1 | 24.4 | 23.7 | 23.1 | 22.5 | 22.0 | 21.2 | |
| 5 | 29.0 | 29.0 | 28.5 | 28.0 | 27.5 | 27.0 | 26.2 | 25.4 | 24.6 | 23.9 | 23.2 | 22.5 | 21.9 | - | - | |
| 10 | 29.0 | 28.6 | 27.9 | 27.2 | 26.6 | 26.0 | 24.9 | 23.9 | - | - | - | - | - | - | - | |
| 15 | 29.0 | 28.3 | 27.5 | 26.7 | 26.0 | 25.3 | - | - | - | - | - | - | - | - | - | |
| 30 | 28.8 | 27.7 | 26.6 | - | - | - | - | - | - | - | - | - | - | - | - | |
| 1 | 29.4 | 29.4 | 29.0 | 28.6 | 28.2 | 28.0 | 27.5 | 26.9 | 26.3 | 25.8 | 25.3 | 24.8 | 24.3 | 23.8 | 23.2 | 10 |
| 2 | 29.1 | 29.1 | 28.6 | 28.2 | 27.7 | 27.3 | 26.5 | 25.7 | 25.0 | 24.3 | 23.7 | 23.1 | 22.5 | 22.0 | 21.2 | |
| 3 | 29.0 | 28.9 | 28.3 | 27.8 | 27.3 | 26.8 | 25.8 | 24.9 | 24.1 | 23.4 | 22.6 | 22.0 | 21.3 | 20.7 | 19.9 | |
| 4 | 29.0 | 28.7 | 28.1 | 27.5 | 26.9 | 26.3 | 25.3 | 24.3 | 23.4 | 22.6 | 21.8 | 21.1 | 20.4 | 19.8 | 18.9 | |
| 5 | 29.0 | 28.6 | 27.9 | 27.2 | 26.6 | 26.0 | 24.8 | 23.8 | 22.8 | 21.9 | 21.1 | 20.4 | 19.7 | - | - | |
| 10 | 29.0 | 28.0 | 27.0 | 26.2 | 25.4 | 24.6 | 23.2 | 21.9 | - | - | - | - | - | - | - | |
| 15 | 28.8 | 27.6 | 26.5 | 25.5 | 24.5 | 23.6 | - | - | - | - | - | - | - | - | - | |
| 30 | 28.3 | 26.7 | 25.3 | - | - | - | - | - | - | - | - | - | - | - | - | |
| 1 | 29.1 | 29.1 | 28.6 | 28.2 | 27.7 | 27.3 | 26.5 | 25.7 | 25.0 | 24.3 | 23.7 | 23.1 | 22.5 | 21.9 | 21.2 | 20 |
| 2 | 29.0 | 28.7 | 28.1 | 27.5 | 26.9 | 26.3 | 25.3 | 24.3 | 23.4 | 22.6 | 21.8 | 21.1 | 20.4 | 19.7 | 18.9 | |
| 3 | 29.0 | 28.4 | 27.7 | 26.9 | 26.3 | 25.6 | 24.4 | 23.3 | 22.3 | 21.4 | 20.5 | 19.7 | 19.0 | 18.3 | 17.4 | |
| 4 | 29.0 | 28.2 | 27.3 | 26.5 | 25.7 | 25.0 | 23.7 | 22.5 | 21.4 | 20.5 | 19.6 | 18.7 | 18.0 | 17.3 | 16.3 | |
| 5 | 29.0 | 28.0 | 27.0 | 26.1 | 25.3 | 24.5 | 23.1 | 21.9 | 20.7 | 19.7 | 18.8 | 17.9 | 17.2 | - | - | |
| 10 | 28.6 | 27.2 | 26.0 | 24.8 | 23.8 | 22.8 | 21.1 | 19.7 | - | - | - | - | - | - | - | |
| 15 | 28.2 | 26.6 | 25.2 | 23.9 | 22.7 | 21.7 | - | - | - | - | - | - | - | - | - | |
| 30 | 27.6 | 25.5 | 23.6 | - | - | - | - | - | - | - | - | - | - | - | - | |
| 1 | 29.0 | 28.7 | 28.1 | 27.5 | 26.9 | 26.3 | 25.3 | 24.3 | 23.4 | 22.6 | 20.3 | 18.0 | 16.2 | 14.7 | 13.0 | 40 |
| 2 | 29.0 | 28.2 | 27.3 | 26.5 | 25.7 | 25.0 | 23.7 | 22.5 | 21.4 | 20.4 | 18.9 | 16.8 | 15.1 | 13.8 | 12.1 | |
| 3 | 28.9 | 27.8 | 26.8 | 25.8 | 24.9 | 24.1 | 22.6 | 21.3 | 20.1 | 19.1 | 18.1 | 16.4 | 14.8 | 13.4 | 11.8 | |
| 4 | 28.7 | 27.5 | 26.3 | 25.3 | 24.3 | 23.4 | 21.8 | 20.4 | 19.1 | 18.1 | 17.1 | 16.2 | 14.6 | 13.3 | 11.7 | |
| 5 | 28.6 | 27.2 | 25.9 | 24.8 | 23.8 | 22.8 | 21.1 | 19.6 | 18.4 | 17.2 | 16.2 | 15.4 | 14.5 | - | - | |
| 10 | 28.0 | 26.1 | 24.5 | 23.1 | 21.9 | 20.7 | 18.8 | 17.2 | - | - | - | - | - | - | - | |
| 15 | 27.5 | 25.4 | 23.6 | 22.0 | 20.6 | 19.4 | - | - | - | - | - | - | - | - | - | |
| 30 | 26.6 | 23.9 | 21.7 | - | - | - | - | - | - | - | - | - | - | - | - | |
| 1 | 29.0 | 28.4 | 27.7 | 26.9 | 26.2 | 25.6 | 24.4 | 23.1 | 19.2 | 16.5 | 14.4 | 12.8 | 11.5 | 10.5 | 9.2 | 60 |
| 2 | 28.9 | 27.8 | 26.8 | 25.8 | 24.9 | 24.1 | 22.6 | 20.9 | 17.4 | 14.9 | 13.1 | 11.6 | 10.5 | 9.5 | 8.4 | |
| 3 | 28.6 | 27.3 | 26.1 | 25.0 | 24.0 | 23.1 | 21.4 | 20.0 | 16.8 | 14.4 | 12.6 | 11.2 | 10.1 | 9.2 | 8.1 | |
| 4 | 28.4 | 26.9 | 25.6 | 24.4 | 23.3 | 22.3 | 20.5 | 19.0 | 16.5 | 14.2 | 12.4 | 11.0 | 9.9 | 9.0 | 7.9 | |
| 5 | 28.2 | 26.6 | 25.2 | 23.9 | 22.7 | 21.6 | 19.8 | 18.2 | 16.3 | 14.0 | 12.2 | 10.9 | 9.8 | - | - | |
| 10 | 27.5 | 25.4 | 23.6 | 22.0 | 20.6 | 19.4 | 17.3 | 15.7 | - | - | - | - | - | - | - | |
| 15 | 27.0 | 24.5 | 22.5 | 20.7 | 19.2 | 17.9 | - | - | - | - | - | - | - | - | - | |
| 30 | 26.0 | 22.8 | 20.4 | - | - | - | - | - | - | - | - | - | - | - | - | |
| 1 | 29.0 | 28.2 | 27.3 | 26.5 | 25.7 | 25.0 | 23.0 | 18.4 | 15.3 | 13.1 | 11.5 | 10.2 | 9.2 | 8.4 | 7.4 | 80 |
| 2 | 28.7 | 27.5 | 26.3 | 25.3 | 24.3 | 23.4 | 20.3 | 16.2 | 13.5 | 11.6 | 10.1 | 9.0 | 8.1 | 7.4 | 6.5 | |
| 3 | 28.4 | 26.9 | 25.6 | 24.4 | 23.3 | 22.3 | 19.4 | 15.5 | 12.9 | 11.1 | 9.7 | 8.6 | 7.7 | 7.0 | 6.2 | |
| 4 | 28.2 | 26.5 | 25.0 | 23.7 | 22.5 | 21.4 | 18.9 | 15.1 | 12.6 | 10.8 | 9.5 | 8.4 | 7.6 | 6.9 | 6.1 | |
| 5 | 28.0 | 26.1 | 24.5 | 23.1 | 21.9 | 20.7 | 18.6 | 14.9 | 12.4 | 10.7 | 9.3 | 8.3 | 7.5 | - | - | |
| 10 | 27.2 | 24.8 | 22.8 | 21.1 | 19.6 | 18.4 | 16.2 | 14.5 | - | - | - | - | - | - | - | |
| 15 | 26.6 | 23.9 | 21.6 | 19.8 | 18.2 | 16.9 | - | - | - | - | - | - | - | - | - | |
| 30 | 25.4 | 22.0 | 19.4 | - | - | - | - | - | - | - | - | - | - | - | - | |
| 1 | 29.0 | 28.0 | 27.0 | 26.1 | 25.3 | 24.5 | 19.5 | 15.6 | 13.0 | 11.1 | 9.7 | 8.7 | 7.8 | 7.1 | 6.2 | 100 |
| 2 | 28.6 | 27.2 | 25.9 | 24.8 | 23.8 | 22.4 | 16.8 | 13.4 | 11.2 | 9.6 | 8.4 | 7.5 | 6.7 | 6.1 | 5.4 | |
| 3 | 28.2 | 26.6 | 25.2 | 23.9 | 22.7 | 21.1 | 15.9 | 12.7 | 10.6 | 9.1 | 7.9 | 7.0 | 6.3 | 5.8 | 5.1 | |
| 4 | 28.0 | 26.1 | 24.5 | 23.1 | 21.9 | 20.5 | 15.4 | 12.3 | 10.3 | 8.8 | 7.7 | 6.8 | 6.2 | 5.6 | 4.9 | |
| 5 | 27.7 | 25.7 | 24.0 | 22.5 | 21.2 | 20.0 | 15.1 | 12.1 | 10.1 | 8.6 | 7.6 | 6.7 | 6.1 | - | - | |
| 10 | 26.9 | 24.3 | 22.2 | 20.4 | 18.9 | 17.6 | 14.6 | 11.7 | - | - | - | - | - | - | - | |
| 15 | 26.3 | 23.3 | 20.9 | 19.0 | 17.4 | 16.1 | - | - | - | - | - | - | - | - | - | |
| 30 | 24.9 | 21.3 | 18.6 | - | - | - | - | - | - | - | - | - | - | - | - | |
| 1 | 28.7 | 27.5 | 26.4 | 25.4 | 23.7 | 19.7 | 14.8 | 11.8 | 9.9 | 8.5 | 7.4 | 6.6 | 5.9 | 5.4 | 4.7 | 150 |
| 2 | 28.2 | 26.6 | 25.2 | 23.9 | 19.3 | 16.1 | 12.1 | 9.7 | 8.1 | 6.9 | 6.0 | 5.4 | 4.8 | 4.4 | 3.9 | |
| 3 | 27.9 | 25.9 | 24.3 | 22.4 | 17.9 | 14.9 | 11.2 | 8.9 | 7.5 | 6.4 | 5.6 | 5.0 | 4.5 | 4.1 | 3.6 | |
| 4 | 27.5 | 25.4 | 23.6 | 21.4 | 17.2 | 14.3 | 10.7 | 8.6 | 7.1 | 6.1 | 5.4 | 4.8 | 4.3 | 3.9 | 3.4 | |
| 5 | 27.3 | 24.9 | 23.0 | 20.9 | 16.7 | 13.9 | 10.5 | 8.4 | 7.0 | 6.0 | 5.2 | 4.6 | 4.2 | - | - | |
| 10 | 26.2 | 23.3 | 20.9 | 19.0 | 15.8 | 13.2 | 9.9 | 7.9 | - | - | - | - | - | - | - | |
| 15 | 25.5 | 22.2 | 19.6 | 17.6 | 15.6 | 13.0 | - | - | - | - | - | - | - | - | - | |
| 30 | 24.0 | 20.0 | 17.1 | - | - | - | - | - | - | - | - | - | - | - | - | |
| 1 | 28.2 | 26.6 | 25.2 | 20.3 | 16.2 | 13.5 | 10.1 | 8.1 | 6.8 | 5.8 | 5.1 | 4.5 | 4.1 | 3.7 | 3.2 | 300 |
| 2 | 27.5 | 25.4 | 19.7 | 14.8 | 11.8 | 9.9 | 7.4 | 5.9 | 4.9 | 4.2 | 3.7 | 3.3 | 3.0 | 2.7 | 2.4 | |
| 3 | 27.0 | 24.5 | 17.3 | 13.0 | 10.4 | 8.7 | 6.5 | 5.2 | 4.3 | 3.7 | 3.2 | 2.9 | 2.6 | 2.4 | 2.1 | |
| 4 | 26.6 | 23.9 | 16.1 | 12.1 | 9.7 | 8.1 | 6.0 | 4.8 | 4.0 | 3.5 | 3.0 | 2.7 | 2.4 | 2.2 | 1.9 | |
| 5 | 26.2 | 23.1 | 15.4 | 11.5 | 9.2 | 7.7 | 5.8 | 4.6 | 3.8 | 3.3 | 2.9 | 2.6 | 2.3 | - | - | |
| 10 | 24.9 | 20.9 | 13.9 | 10.5 | 8.4 | 7.0 | 5.2 | 4.2 | - | - | - | - | - | - | - | |
| 15 | 24.0 | 20.0 | 13.4 | 10.1 | 8.1 | 6.7 | - | - | - | - | - | - | - | - | - | |
| 30 | 22.2 | 17.6 | 13.0 | - | - | - | - | - | - | - | - | - | - | - | - | |



Abaco per carichi in serie - Serial load rating - Abaque de charges successives

■ **2.0 - 1 ~ - 3000 min⁻¹**

| Potenza ammessa sul tubo in kW, per serie di n esposizioni, con frequenza z e durata di ogni esposizione in sec Anode input power as a function of n (N° of exposures in series), z (exp. rate per sec), the exposure time (sec) Puissance anodique en fonction de n (N° d'exp. de la série), z (cadence d'exp. par sec), temps d'exposition (sec) | | | | | | | | | | | | | | | | |
|--|-------|-------|-------|-------|-------|-------|-------|-------|-------|-------|-------|-------|-------|-------|-------|-----|
| z | 0.010 | 0.020 | 0.030 | 0.040 | 0.050 | 0.060 | 0.080 | 0.100 | 0.120 | 0.140 | 0.160 | 0.180 | 0.200 | 0.220 | 0.250 | n |
| 1 | 57.7 | 57.7 | 56.1 | 54.9 | 54.1 | 53.4 | 52.2 | 51.3 | 50.5 | 49.8 | 49.2 | 48.6 | 47.7 | 46.8 | 45.5 | 5 |
| 2 | 57.1 | 57.1 | 56.1 | 54.9 | 54.1 | 53.4 | 52.1 | 50.6 | 49.1 | 47.8 | 46.5 | 45.3 | 44.2 | 43.1 | 41.6 | |
| 3 | 56.7 | 56.7 | 55.6 | 54.6 | 53.5 | 52.6 | 50.7 | 49.0 | 47.4 | 45.9 | 44.5 | 43.1 | 41.9 | 40.7 | 39.0 | |
| 4 | 56.4 | 56.4 | 55.1 | 53.9 | 52.8 | 51.7 | 49.7 | 47.8 | 46.0 | 44.4 | 42.8 | 41.4 | 40.1 | 38.8 | 37.1 | |
| 5 | 56.1 | 56.1 | 54.7 | 53.4 | 52.2 | 51.0 | 48.8 | 46.7 | 44.9 | 43.1 | 41.5 | 40.0 | 38.7 | - | - | |
| 10 | 56.1 | 55.0 | 53.2 | 51.4 | 49.8 | 48.3 | 45.6 | 43.1 | - | - | - | - | - | - | - | |
| 15 | 56.1 | 54.2 | 52.1 | 50.1 | 48.3 | 46.6 | - | - | - | - | - | - | - | - | - | |
| 30 | 55.6 | 52.6 | 49.9 | - | - | - | - | - | - | - | - | - | - | - | - | |
| 1 | 57.1 | 57.1 | 56.1 | 54.9 | 54.1 | 53.4 | 52.0 | 50.5 | 49.1 | 47.8 | 46.5 | 45.3 | 44.2 | 43.1 | 41.6 | 10 |
| 2 | 56.4 | 56.4 | 55.1 | 53.9 | 52.8 | 51.7 | 49.6 | 47.7 | 45.9 | 44.3 | 42.8 | 41.3 | 40.0 | 38.8 | 37.0 | |
| 3 | 56.1 | 55.8 | 54.3 | 52.9 | 51.5 | 50.3 | 47.9 | 45.7 | 43.8 | 42.0 | 40.3 | 38.8 | 37.3 | 36.0 | 34.2 | |
| 4 | 56.1 | 55.3 | 53.6 | 52.1 | 50.6 | 49.1 | 46.5 | 44.2 | 42.1 | 40.2 | 38.4 | 36.8 | 35.3 | 34.0 | 32.1 | |
| 5 | 56.1 | 54.9 | 53.1 | 51.3 | 49.7 | 48.2 | 45.4 | 42.9 | 40.7 | 38.7 | 36.9 | 35.3 | 33.8 | - | - | |
| 10 | 56.1 | 53.4 | 51.0 | 48.8 | 46.7 | 44.9 | 41.5 | 38.7 | - | - | - | - | - | - | - | |
| 15 | 55.5 | 52.3 | 49.5 | 47.0 | 44.7 | 42.6 | - | - | - | - | - | - | - | - | - | |
| 30 | 54.2 | 50.1 | 46.6 | - | - | - | - | - | - | - | - | - | - | - | - | |
| 1 | 56.4 | 56.4 | 55.1 | 53.9 | 52.8 | 51.7 | 49.6 | 47.7 | 45.9 | 43.2 | 37.8 | 33.6 | 30.3 | 27.5 | 24.2 | 20 |
| 2 | 56.1 | 55.3 | 53.6 | 52.0 | 50.5 | 49.1 | 46.5 | 44.2 | 42.1 | 40.1 | 36.5 | 32.4 | 29.2 | 26.5 | 23.3 | |
| 3 | 56.1 | 54.5 | 52.5 | 50.7 | 49.0 | 47.3 | 44.4 | 41.8 | 39.5 | 37.4 | 35.6 | 32.0 | 28.8 | 26.2 | 23.0 | |
| 4 | 56.1 | 53.9 | 51.7 | 49.6 | 47.7 | 45.9 | 42.8 | 40.0 | 37.6 | 35.5 | 33.5 | 31.8 | 28.6 | 26.0 | 22.9 | |
| 5 | 56.1 | 53.4 | 50.9 | 48.7 | 46.6 | 44.8 | 41.4 | 38.6 | 36.1 | 33.9 | 31.9 | 30.2 | 28.5 | - | - | |
| 10 | 54.9 | 51.3 | 48.2 | 45.4 | 42.9 | 40.7 | 36.9 | 33.8 | - | - | - | - | - | - | - | |
| 15 | 54.1 | 49.9 | 46.3 | 43.2 | 40.5 | 38.1 | - | - | - | - | - | - | - | - | - | |
| 30 | 52.3 | 47.0 | 42.6 | - | - | - | - | - | - | - | - | - | - | - | - | |
| 1 | 56.1 | 55.3 | 53.6 | 52.0 | 50.5 | 49.1 | 46.6 | 32.4 | 27.0 | 23.2 | 20.3 | 18.0 | 16.2 | 14.7 | 13.0 | 40 |
| 2 | 56.1 | 53.9 | 51.7 | 49.6 | 47.7 | 45.9 | 37.8 | 30.3 | 25.2 | 21.6 | 18.9 | 16.8 | 15.1 | 13.8 | 12.1 | |
| 3 | 55.8 | 52.9 | 50.2 | 47.9 | 45.7 | 43.7 | 36.9 | 29.5 | 24.6 | 21.1 | 18.5 | 16.4 | 14.8 | 13.4 | 11.8 | |
| 4 | 55.3 | 52.0 | 49.1 | 46.5 | 44.2 | 42.1 | 36.5 | 29.2 | 24.3 | 20.8 | 18.2 | 16.2 | 14.6 | 13.3 | 11.7 | |
| 5 | 54.9 | 51.3 | 48.2 | 45.4 | 42.9 | 40.7 | 36.2 | 29.0 | 24.1 | 20.7 | 18.1 | 16.1 | 14.5 | - | - | |
| 10 | 53.4 | 48.7 | 44.8 | 41.4 | 38.6 | 36.1 | 31.9 | 28.5 | - | - | - | - | - | - | - | |
| 15 | 52.2 | 46.9 | 42.5 | 38.8 | 35.8 | 33.2 | - | - | - | - | - | - | - | - | - | |
| 30 | 49.9 | 43.2 | 38.1 | - | - | - | - | - | - | - | - | - | - | - | - | |
| 1 | 56.1 | 54.5 | 52.5 | 50.7 | 46.2 | 38.5 | 28.8 | 23.1 | 19.2 | 16.5 | 14.4 | 12.8 | 11.5 | 10.5 | 9.2 | 60 |
| 2 | 55.8 | 52.9 | 50.2 | 47.9 | 41.8 | 34.8 | 26.1 | 20.9 | 17.4 | 14.9 | 13.1 | 11.6 | 10.5 | 9.5 | 8.4 | |
| 3 | 55.1 | 51.7 | 48.6 | 45.9 | 40.3 | 33.6 | 25.2 | 20.2 | 16.8 | 14.4 | 12.6 | 11.2 | 10.1 | 9.2 | 8.1 | |
| 4 | 54.5 | 50.7 | 47.3 | 44.4 | 39.6 | 33.0 | 24.8 | 19.8 | 16.5 | 14.2 | 12.4 | 11.0 | 9.9 | 9.0 | 7.9 | |
| 5 | 54.1 | 49.8 | 46.3 | 43.1 | 39.2 | 32.7 | 24.5 | 19.6 | 16.3 | 14.0 | 12.2 | 10.9 | 9.8 | - | - | |
| 10 | 52.2 | 46.8 | 42.5 | 38.8 | 35.8 | 31.9 | 23.9 | 19.2 | - | - | - | - | - | - | - | |
| 15 | 50.9 | 44.8 | 39.9 | 36.1 | 32.9 | 30.2 | - | - | - | - | - | - | - | - | - | |
| 30 | 48.2 | 40.7 | 35.3 | - | - | - | - | - | - | - | - | - | - | - | - | |
| 1 | 56.1 | 53.9 | 51.7 | 46.0 | 36.8 | 30.7 | 23.0 | 18.4 | 15.3 | 13.1 | 11.5 | 10.2 | 9.2 | 8.4 | 7.4 | 80 |
| 2 | 55.3 | 52.0 | 49.1 | 40.6 | 32.4 | 27.0 | 20.3 | 16.2 | 13.5 | 11.6 | 10.1 | 9.0 | 8.1 | 7.4 | 6.5 | |
| 3 | 54.5 | 50.7 | 47.3 | 38.7 | 31.0 | 25.8 | 19.4 | 15.5 | 12.9 | 11.1 | 9.7 | 8.6 | 7.7 | 7.0 | 6.2 | |
| 4 | 53.9 | 49.6 | 45.9 | 37.8 | 30.3 | 25.2 | 18.9 | 15.1 | 12.6 | 10.8 | 9.5 | 8.4 | 7.6 | 6.9 | 6.1 | |
| 5 | 53.4 | 48.7 | 44.7 | 37.3 | 29.8 | 24.9 | 18.6 | 14.9 | 12.4 | 10.7 | 9.3 | 8.3 | 7.5 | - | - | |
| 10 | 51.3 | 45.4 | 40.7 | 36.2 | 29.0 | 24.1 | 18.1 | 14.5 | - | - | - | - | - | - | - | |
| 15 | 49.9 | 43.1 | 38.0 | 34.0 | 28.7 | 23.9 | - | - | - | - | - | - | - | - | - | |
| 30 | 46.9 | 38.8 | 33.2 | - | - | - | - | - | - | - | - | - | - | - | - | |
| 1 | 56.1 | 53.4 | 50.9 | 39.0 | 31.2 | 26.0 | 19.5 | 15.6 | 13.0 | 11.1 | 9.7 | 8.7 | 7.8 | 7.1 | 6.2 | 100 |
| 2 | 54.9 | 51.3 | 44.7 | 33.5 | 26.8 | 22.4 | 16.8 | 13.4 | 11.2 | 9.6 | 8.4 | 7.5 | 6.7 | 6.1 | 5.4 | |
| 3 | 54.1 | 49.8 | 42.3 | 31.7 | 25.4 | 21.1 | 15.9 | 12.7 | 10.6 | 9.1 | 7.9 | 7.0 | 6.3 | 5.8 | 5.1 | |
| 4 | 53.4 | 48.7 | 41.1 | 30.8 | 24.6 | 20.5 | 15.4 | 12.3 | 10.3 | 8.8 | 7.7 | 6.8 | 6.2 | 5.6 | 4.9 | |
| 5 | 52.8 | 47.7 | 40.3 | 30.3 | 24.2 | 20.2 | 15.1 | 12.1 | 10.1 | 8.6 | 7.6 | 6.7 | 6.1 | - | - | |
| 10 | 50.5 | 44.2 | 38.9 | 29.2 | 23.3 | 19.4 | 14.6 | 11.7 | - | - | - | - | - | - | - | |
| 15 | 49.0 | 41.8 | 36.5 | 28.8 | 23.0 | 19.2 | - | - | - | - | - | - | - | - | - | |
| 30 | 45.7 | 37.3 | 31.5 | - | - | - | - | - | - | - | - | - | - | - | - | |
| 1 | 55.4 | 52.2 | 39.5 | 29.6 | 23.7 | 19.7 | 14.8 | 11.8 | 9.9 | 8.5 | 7.4 | 6.6 | 5.9 | 5.4 | 4.7 | 150 |
| 2 | 54.1 | 48.3 | 32.2 | 24.2 | 19.3 | 16.1 | 12.1 | 9.7 | 8.1 | 6.9 | 6.0 | 5.4 | 4.8 | 4.4 | 3.9 | |
| 3 | 53.0 | 44.7 | 29.8 | 22.4 | 17.9 | 14.9 | 11.2 | 8.9 | 7.5 | 6.4 | 5.6 | 5.0 | 4.5 | 4.1 | 3.6 | |
| 4 | 52.2 | 42.9 | 28.6 | 21.4 | 17.2 | 14.3 | 10.7 | 8.6 | 7.1 | 6.1 | 5.4 | 4.8 | 4.3 | 3.9 | 3.4 | |
| 5 | 51.5 | 41.8 | 27.9 | 20.9 | 16.7 | 13.9 | 10.5 | 8.4 | 7.0 | 6.0 | 5.2 | 4.6 | 4.2 | - | - | |
| 10 | 48.9 | 39.6 | 26.4 | 19.8 | 15.8 | 13.2 | 9.9 | 7.9 | - | - | - | - | - | - | - | |
| 15 | 47.1 | 38.9 | 25.9 | 19.4 | 15.6 | 13.0 | - | - | - | - | - | - | - | - | - | |
| 30 | 43.5 | 34.5 | 25.4 | - | - | - | - | - | - | - | - | - | - | - | - | |
| 1 | 54.1 | 40.5 | 27.0 | 20.3 | 16.2 | 13.5 | 10.1 | 8.1 | 6.8 | 5.8 | 5.1 | 4.5 | 4.1 | 3.7 | 3.2 | 300 |
| 2 | 52.2 | 29.6 | 19.7 | 14.8 | 11.8 | 9.9 | 7.4 | 5.9 | 4.9 | 4.2 | 3.7 | 3.3 | 3.0 | 2.7 | 2.4 | |
| 3 | 50.9 | 26.0 | 17.3 | 13.0 | 10.4 | 8.7 | 6.5 | 5.2 | 4.3 | 3.7 | 3.2 | 2.9 | 2.6 | 2.4 | 2.1 | |
| 4 | 48.3 | 24.2 | 16.1 | 12.1 | 9.7 | 8.1 | 6.0 | 4.8 | 4.0 | 3.5 | 3.0 | 2.7 | 2.4 | 2.2 | 1.9 | |
| 5 | 46.2 | 23.1 | 15.4 | 11.5 | 9.2 | 7.7 | 5.8 | 4.6 | 3.8 | 3.3 | 2.9 | 2.6 | 2.3 | - | - | |
| 10 | 41.8 | 20.9 | 13.9 | 10.5 | 8.4 | 7.0 | 5.2 | 4.2 | - | - | - | - | - | - | - | |
| 15 | 40.3 | 20.2 | 13.4 | 10.1 | 8.1 | 6.7 | - | - | - | - | - | - | - | - | - | |
| 30 | 38.9 | 19.4 | 13.0 | - | - | - | - | - | - | - | - | - | - | - | - | |



Abaco per carichi in serie - Serial load rating - Abaque de charges successives

▣ **1.0 - 3 ~ - 3000 min⁻¹**

| Potenza ammessa sul tubo in kW, per serie di n esposizioni, con frequenza z e durata di ogni esposizione in sec Anode input power as a function of n (N° of exposures in series), z (exp. rate per sec), the exposure time (sec) Puissance anodique en fonction de n (N° d'exp. de la série), z (cadence d'exp. par sec), temps d'exposition (sec) | | | | | | | | | | | | | | | | |
|--|-------|-------|-------|-------|-------|-------|-------|-------|-------|-------|-------|-------|-------|-------|-------|-----|
| z | 0.010 | 0.020 | 0.030 | 0.040 | 0.050 | 0.060 | 0.080 | 0.100 | 0.120 | 0.140 | 0.160 | 0.180 | 0.200 | 0.220 | 0.250 | n |
| 1 | 35.4 | 35.4 | 34.5 | 33.9 | 33.5 | 33.1 | 32.5 | 32.0 | 31.6 | 31.2 | 30.9 | 30.5 | 30.0 | 29.5 | 28.8 | 5 |
| 2 | 35.1 | 35.1 | 34.5 | 33.9 | 33.5 | 33.1 | 32.4 | 31.6 | 30.8 | 30.1 | 29.4 | 28.7 | 28.1 | 27.5 | 26.6 | |
| 3 | 34.9 | 34.9 | 34.3 | 33.7 | 33.2 | 32.7 | 31.7 | 30.7 | 29.9 | 29.0 | 28.2 | 27.5 | 26.8 | 26.1 | 25.2 | |
| 4 | 34.7 | 34.7 | 34.0 | 33.4 | 32.8 | 32.2 | 31.1 | 30.1 | 29.1 | 28.2 | 27.3 | 26.5 | 25.8 | 25.0 | 24.0 | |
| 5 | 34.5 | 34.5 | 33.8 | 33.1 | 32.5 | 31.8 | 30.6 | 29.5 | 28.5 | 27.5 | 26.6 | 25.7 | 24.9 | - | - | |
| 10 | 34.5 | 34.0 | 33.0 | 32.1 | 31.2 | 30.4 | 28.9 | 27.5 | - | - | - | - | - | - | - | |
| 15 | 34.5 | 33.5 | 32.4 | 31.3 | 30.3 | 29.4 | - | - | - | - | - | - | - | - | - | |
| 30 | 34.3 | 32.7 | 31.2 | - | - | - | - | - | - | - | - | - | - | - | - | |
| 1 | 35.1 | 35.1 | 34.5 | 33.9 | 33.5 | 33.1 | 32.4 | 31.6 | 30.8 | 30.1 | 29.4 | 28.7 | 28.1 | 27.5 | 26.6 | 10 |
| 2 | 34.7 | 34.7 | 34.0 | 33.4 | 32.8 | 32.2 | 31.1 | 30.0 | 29.1 | 28.1 | 27.3 | 26.5 | 25.7 | 25.0 | 24.0 | |
| 3 | 34.5 | 34.4 | 33.6 | 32.8 | 32.1 | 31.4 | 30.1 | 28.9 | 27.8 | 26.8 | 25.9 | 25.0 | 24.2 | 23.4 | 22.3 | |
| 4 | 34.5 | 34.1 | 33.3 | 32.4 | 31.6 | 30.8 | 29.4 | 28.1 | 26.9 | 25.8 | 24.8 | 23.9 | 23.0 | 22.2 | 21.1 | |
| 5 | 34.5 | 33.9 | 32.9 | 32.0 | 31.1 | 30.3 | 28.8 | 27.4 | 26.1 | 25.0 | 23.9 | 23.0 | 22.1 | - | - | |
| 10 | 34.5 | 33.1 | 31.8 | 30.6 | 29.5 | 28.5 | 26.6 | 24.9 | - | - | - | - | - | - | - | |
| 15 | 34.2 | 32.5 | 31.0 | 29.6 | 28.4 | 27.2 | - | - | - | - | - | - | - | - | - | |
| 30 | 33.5 | 31.3 | 29.4 | - | - | - | - | - | - | - | - | - | - | - | - | |
| 1 | 34.7 | 34.7 | 34.0 | 33.4 | 32.8 | 32.2 | 31.1 | 30.0 | 29.0 | 28.1 | 27.3 | 26.5 | 25.7 | 25.0 | 24.0 | 20 |
| 2 | 34.5 | 34.1 | 33.2 | 32.4 | 31.6 | 30.8 | 29.4 | 28.1 | 26.9 | 25.8 | 24.8 | 23.8 | 23.0 | 22.2 | 21.1 | |
| 3 | 34.5 | 33.7 | 32.7 | 31.7 | 30.7 | 29.8 | 28.2 | 26.7 | 25.4 | 24.2 | 23.1 | 22.2 | 21.2 | 20.4 | 19.3 | |
| 4 | 34.5 | 33.4 | 32.2 | 31.1 | 30.0 | 29.1 | 27.3 | 25.7 | 24.3 | 23.1 | 21.9 | 20.9 | 20.0 | 19.1 | 18.0 | |
| 5 | 34.5 | 33.1 | 31.8 | 30.6 | 29.5 | 28.4 | 26.5 | 24.9 | 23.4 | 22.1 | 21.0 | 19.9 | 19.0 | - | - | |
| 10 | 33.9 | 32.0 | 30.3 | 28.8 | 27.4 | 26.1 | 23.9 | 22.1 | - | - | - | - | - | - | - | |
| 15 | 33.5 | 31.2 | 29.3 | 27.5 | 26.0 | 24.6 | - | - | - | - | - | - | - | - | - | |
| 30 | 32.5 | 29.6 | 27.2 | - | - | - | - | - | - | - | - | - | - | - | - | |
| 1 | 34.5 | 34.1 | 33.2 | 32.4 | 31.6 | 30.8 | 29.4 | 28.1 | 26.9 | 23.2 | 20.3 | 18.0 | 16.2 | 14.7 | 13.0 | 40 |
| 2 | 34.5 | 33.4 | 32.2 | 31.1 | 30.0 | 29.0 | 27.3 | 25.7 | 24.3 | 21.6 | 18.9 | 16.8 | 15.1 | 13.8 | 12.1 | |
| 3 | 34.4 | 32.8 | 31.4 | 30.1 | 28.9 | 27.8 | 25.9 | 24.1 | 22.6 | 21.1 | 18.5 | 16.4 | 14.8 | 13.4 | 11.8 | |
| 4 | 34.1 | 32.4 | 30.8 | 29.4 | 28.1 | 26.9 | 24.8 | 23.0 | 21.4 | 20.1 | 18.2 | 16.2 | 14.6 | 13.3 | 11.7 | |
| 5 | 33.9 | 32.0 | 30.3 | 28.8 | 27.4 | 26.1 | 23.9 | 22.0 | 20.4 | 19.1 | 17.9 | 16.1 | 14.5 | - | - | |
| 10 | 33.1 | 30.6 | 28.4 | 26.5 | 24.9 | 23.4 | 21.0 | 19.0 | - | - | - | - | - | - | - | |
| 15 | 32.5 | 29.6 | 27.1 | 25.0 | 23.3 | 21.7 | - | - | - | - | - | - | - | - | - | |
| 30 | 31.2 | 27.5 | 24.6 | - | - | - | - | - | - | - | - | - | - | - | - | |
| 1 | 34.5 | 33.7 | 32.7 | 31.7 | 30.7 | 29.8 | 28.2 | 23.1 | 19.2 | 16.5 | 14.4 | 12.8 | 11.5 | 10.5 | 9.2 | 60 |
| 2 | 34.4 | 32.8 | 31.4 | 30.1 | 28.9 | 27.8 | 25.9 | 20.9 | 17.4 | 14.9 | 13.1 | 11.6 | 10.5 | 9.5 | 8.4 | |
| 3 | 34.0 | 32.2 | 30.5 | 29.0 | 27.7 | 26.5 | 24.3 | 20.2 | 16.8 | 14.4 | 12.6 | 11.2 | 10.1 | 9.2 | 8.1 | |
| 4 | 33.7 | 31.7 | 29.8 | 28.2 | 26.7 | 25.4 | 23.1 | 19.8 | 16.5 | 14.2 | 12.4 | 11.0 | 9.9 | 9.0 | 7.9 | |
| 5 | 33.5 | 31.2 | 29.2 | 27.5 | 25.9 | 24.6 | 22.2 | 19.6 | 16.3 | 14.0 | 12.2 | 10.9 | 9.8 | - | - | |
| 10 | 32.5 | 29.6 | 27.1 | 25.0 | 23.2 | 21.7 | 19.2 | 17.1 | - | - | - | - | - | - | - | |
| 15 | 31.8 | 28.4 | 25.7 | 23.4 | 21.5 | 19.9 | - | - | - | - | - | - | - | - | - | |
| 30 | 30.3 | 26.1 | 23.0 | - | - | - | - | - | - | - | - | - | - | - | - | |
| 1 | 34.5 | 33.4 | 32.2 | 31.1 | 30.0 | 29.0 | 23.0 | 18.4 | 15.3 | 13.1 | 11.5 | 10.2 | 9.2 | 8.4 | 7.4 | 80 |
| 2 | 34.1 | 32.4 | 30.8 | 29.4 | 28.1 | 26.9 | 20.3 | 16.2 | 13.5 | 11.6 | 10.1 | 9.0 | 8.1 | 7.4 | 6.5 | |
| 3 | 33.7 | 31.7 | 29.8 | 28.2 | 26.7 | 25.4 | 19.4 | 15.5 | 12.9 | 11.1 | 9.7 | 8.6 | 7.7 | 7.0 | 6.2 | |
| 4 | 33.4 | 31.1 | 29.0 | 27.3 | 25.7 | 24.3 | 18.9 | 15.1 | 12.6 | 10.8 | 9.5 | 8.4 | 7.6 | 6.9 | 6.1 | |
| 5 | 33.1 | 30.6 | 28.4 | 26.5 | 24.9 | 23.4 | 18.6 | 14.9 | 12.4 | 10.7 | 9.3 | 8.3 | 7.5 | - | - | |
| 10 | 32.0 | 28.8 | 26.1 | 23.9 | 22.0 | 20.4 | 17.9 | 14.5 | - | - | - | - | - | - | - | |
| 15 | 31.2 | 27.5 | 24.6 | 22.2 | 20.3 | 18.6 | - | - | - | - | - | - | - | - | - | |
| 30 | 29.6 | 25.0 | 21.7 | - | - | - | - | - | - | - | - | - | - | - | - | |
| 1 | 34.5 | 33.1 | 31.8 | 30.6 | 29.4 | 26.0 | 19.5 | 15.6 | 13.0 | 11.1 | 9.7 | 8.7 | 7.8 | 7.1 | 6.2 | 100 |
| 2 | 33.9 | 32.0 | 30.3 | 28.7 | 26.8 | 22.4 | 16.8 | 13.4 | 11.2 | 9.6 | 8.4 | 7.5 | 6.7 | 6.1 | 5.4 | |
| 3 | 33.5 | 31.2 | 29.2 | 27.5 | 25.4 | 21.1 | 15.9 | 12.7 | 10.6 | 9.1 | 7.9 | 7.0 | 6.3 | 5.8 | 5.1 | |
| 4 | 33.1 | 30.6 | 28.4 | 26.5 | 24.6 | 20.5 | 15.4 | 12.3 | 10.3 | 8.8 | 7.7 | 6.8 | 6.2 | 5.6 | 4.9 | |
| 5 | 32.8 | 30.0 | 27.7 | 25.7 | 24.0 | 20.2 | 15.1 | 12.1 | 10.1 | 8.6 | 7.6 | 6.7 | 6.1 | - | - | |
| 10 | 31.6 | 28.1 | 25.3 | 23.0 | 21.1 | 19.4 | 14.6 | 11.7 | - | - | - | - | - | - | - | |
| 15 | 30.7 | 26.7 | 23.7 | 21.2 | 19.3 | 17.6 | - | - | - | - | - | - | - | - | - | |
| 30 | 28.9 | 24.2 | 20.7 | - | - | - | - | - | - | - | - | - | - | - | - | |
| 1 | 34.2 | 32.5 | 31.0 | 29.5 | 23.7 | 19.7 | 14.8 | 11.8 | 9.9 | 8.5 | 7.4 | 6.6 | 5.9 | 5.4 | 4.7 | 150 |
| 2 | 33.5 | 31.2 | 29.2 | 24.2 | 19.3 | 16.1 | 12.1 | 9.7 | 8.1 | 6.9 | 6.0 | 5.4 | 4.8 | 4.4 | 3.9 | |
| 3 | 32.9 | 30.3 | 28.0 | 22.4 | 17.9 | 14.9 | 11.2 | 8.9 | 7.5 | 6.4 | 5.6 | 5.0 | 4.5 | 4.1 | 3.6 | |
| 4 | 32.5 | 29.6 | 27.1 | 21.4 | 17.2 | 14.3 | 10.7 | 8.6 | 7.1 | 6.1 | 5.4 | 4.8 | 4.3 | 3.9 | 3.4 | |
| 5 | 32.1 | 28.9 | 26.3 | 20.9 | 16.7 | 13.9 | 10.5 | 8.4 | 7.0 | 6.0 | 5.2 | 4.6 | 4.2 | - | - | |
| 10 | 30.7 | 26.7 | 23.7 | 19.8 | 15.8 | 13.2 | 9.9 | 7.9 | - | - | - | - | - | - | - | |
| 15 | 29.7 | 25.3 | 22.0 | 19.4 | 15.6 | 13.0 | - | - | - | - | - | - | - | - | - | |
| 30 | 27.7 | 22.5 | 18.9 | - | - | - | - | - | - | - | - | - | - | - | - | |
| 1 | 33.5 | 31.2 | 27.0 | 20.3 | 16.2 | 13.5 | 10.1 | 8.1 | 6.8 | 5.8 | 5.1 | 4.5 | 4.1 | 3.7 | 3.2 | 300 |
| 2 | 29.6 | 29.5 | 19.7 | 14.8 | 11.8 | 9.9 | 7.4 | 5.9 | 4.9 | 4.2 | 3.7 | 3.3 | 3.0 | 2.7 | 2.4 | |
| 3 | 26.0 | 26.0 | 17.3 | 13.0 | 10.4 | 8.7 | 6.5 | 5.2 | 4.3 | 3.7 | 3.2 | 2.9 | 2.6 | 2.4 | 2.1 | |
| 4 | 24.2 | 24.2 | 16.1 | 12.1 | 9.7 | 8.1 | 6.0 | 4.8 | 4.0 | 3.5 | 3.0 | 2.7 | 2.4 | 2.2 | 1.9 | |
| 5 | 23.1 | 23.1 | 15.4 | 11.5 | 9.2 | 7.7 | 5.8 | 4.6 | 3.8 | 3.3 | 2.9 | 2.6 | 2.3 | - | - | |
| 10 | 20.9 | 20.9 | 13.9 | 10.5 | 8.4 | 7.0 | 5.2 | 4.2 | - | - | - | - | - | - | - | |
| 15 | 20.2 | 20.2 | 13.4 | 10.1 | 8.1 | 6.7 | - | - | - | - | - | - | - | - | - | |
| 30 | 19.4 | 19.4 | 13.0 | - | - | - | - | - | - | - | - | - | - | - | - | |



Abaco per carichi in serie - Serial load rating - Abaque de charges successives

■ **2.0 - 3 ~ - 3000 min⁻¹**

| Potenza ammessa sul tubo in kW, per serie di n esposizioni, con frequenza z e durata di ogni esposizione in sec Anode input power as a function of n (N° of exposures in series), z (exp. rate per sec), the exposure time (sec) Puissance anodique en fonction de n (N° d'exp. de la série), z (cadence d'exp. par sec), temps d'exposition (sec) | | | | | | | | | | | | | | n | | |
|--|-------|-------|-------|-------|-------|-------|-------|-------|-------|-------|-------|-------|-------|------|-------|-------|
| z | 0.010 | 0.020 | 0.030 | 0.040 | 0.050 | 0.060 | 0.080 | 0.100 | 0.120 | 0.140 | 0.160 | 0.180 | 0.200 | | 0.220 | 0.250 |
| 1 | 68.9 | 68.9 | 66.6 | 65.0 | 63.8 | 62.8 | 61.3 | 60.0 | 58.9 | 58.0 | 57.2 | 56.4 | 55.1 | 53.9 | 52.2 | 5 |
| 2 | 68.1 | 68.1 | 66.6 | 65.0 | 63.8 | 62.8 | 61.0 | 59.0 | 57.1 | 55.3 | 53.6 | 52.0 | 50.5 | 49.1 | 47.1 | |
| 3 | 67.5 | 67.5 | 66.0 | 64.5 | 63.1 | 61.7 | 59.2 | 56.9 | 54.7 | 52.7 | 50.8 | 49.1 | 47.5 | 46.0 | 43.9 | |
| 4 | 67.0 | 67.0 | 65.3 | 63.6 | 62.0 | 60.5 | 57.7 | 55.2 | 52.9 | 50.7 | 48.7 | 46.9 | 45.2 | 43.6 | 41.5 | |
| 5 | 66.6 | 66.6 | 64.7 | 62.9 | 61.2 | 59.5 | 56.5 | 53.8 | 51.4 | 49.1 | 47.0 | 45.1 | 43.4 | - | - | |
| 10 | 66.6 | 65.1 | 62.5 | 60.2 | 58.0 | 56.0 | 52.3 | 49.1 | - | - | - | - | - | - | - | |
| 15 | 66.6 | 64.0 | 61.0 | 58.3 | 55.9 | 53.6 | - | - | - | - | - | - | - | - | - | |
| 30 | 66.0 | 61.8 | 58.1 | - | - | - | - | - | - | - | - | - | - | - | - | |
| 1 | 68.1 | 68.1 | 66.6 | 65.0 | 63.8 | 62.8 | 61.0 | 58.9 | 57.0 | 55.2 | 53.6 | 52.0 | 50.5 | 49.1 | 46.7 | 10 |
| 2 | 67.0 | 67.0 | 65.3 | 63.6 | 62.0 | 60.5 | 57.7 | 55.1 | 52.8 | 50.6 | 48.6 | 46.8 | 45.1 | 43.5 | 41.4 | |
| 3 | 66.6 | 66.2 | 64.1 | 62.2 | 60.3 | 58.6 | 55.4 | 52.5 | 49.9 | 47.6 | 45.5 | 43.5 | 41.7 | 40.1 | 37.8 | |
| 4 | 66.6 | 65.6 | 63.2 | 61.0 | 59.0 | 57.1 | 53.6 | 50.5 | 47.8 | 45.3 | 43.1 | 41.1 | 39.3 | 37.6 | 35.3 | |
| 5 | 66.6 | 65.0 | 62.4 | 60.0 | 57.8 | 55.8 | 52.1 | 48.9 | 46.0 | 43.5 | 41.2 | 39.2 | 37.3 | - | - | |
| 10 | 66.6 | 62.9 | 59.5 | 56.5 | 53.8 | 51.4 | 47.0 | 43.4 | - | - | - | - | - | - | - | |
| 15 | 65.8 | 61.4 | 57.5 | 54.2 | 51.1 | 48.4 | - | - | - | - | - | - | - | - | - | |
| 30 | 64.0 | 58.3 | 53.6 | - | - | - | - | - | - | - | - | - | - | - | - | |
| 1 | 67.0 | 67.0 | 65.3 | 63.6 | 62.0 | 60.5 | 57.7 | 55.1 | 50.4 | 43.2 | 37.8 | 33.6 | 30.3 | 27.5 | 24.2 | 20 |
| 2 | 66.6 | 65.5 | 63.2 | 61.0 | 58.9 | 57.0 | 53.6 | 50.5 | 47.7 | 41.7 | 36.5 | 32.4 | 29.2 | 26.5 | 23.3 | |
| 3 | 66.6 | 64.5 | 61.7 | 59.2 | 56.8 | 54.6 | 50.8 | 47.4 | 44.5 | 41.2 | 36.0 | 32.0 | 28.8 | 26.2 | 23.0 | |
| 4 | 66.6 | 63.6 | 60.5 | 57.7 | 55.1 | 52.8 | 48.6 | 45.1 | 42.1 | 39.4 | 35.8 | 31.8 | 28.6 | 26.0 | 22.9 | |
| 5 | 66.6 | 62.8 | 59.5 | 56.5 | 53.7 | 51.2 | 46.9 | 43.3 | 40.1 | 37.4 | 35.1 | 31.7 | 28.5 | - | - | |
| 10 | 65.0 | 60.0 | 55.8 | 52.1 | 48.9 | 46.0 | 41.2 | 37.3 | - | - | - | - | - | - | - | |
| 15 | 63.8 | 58.1 | 53.3 | 49.2 | 45.7 | 42.7 | - | - | - | - | - | - | - | - | - | |
| 30 | 61.4 | 54.2 | 48.4 | - | - | - | - | - | - | - | - | - | - | - | - | |
| 1 | 66.6 | 65.5 | 63.2 | 61.0 | 58.9 | 54.1 | 40.6 | 32.4 | 27.0 | 23.2 | 20.3 | 18.0 | 16.2 | 14.7 | 13.0 | 40 |
| 2 | 66.6 | 63.6 | 60.5 | 57.7 | 55.1 | 50.4 | 37.8 | 30.3 | 25.2 | 21.6 | 18.9 | 16.8 | 15.1 | 13.8 | 12.1 | |
| 3 | 66.2 | 62.1 | 58.6 | 55.4 | 52.5 | 49.2 | 36.9 | 29.5 | 24.6 | 21.1 | 18.5 | 16.4 | 14.8 | 13.4 | 11.8 | |
| 4 | 65.5 | 61.0 | 57.0 | 53.6 | 50.5 | 47.7 | 36.5 | 29.2 | 24.3 | 20.8 | 18.2 | 16.2 | 14.6 | 13.3 | 11.7 | |
| 5 | 65.0 | 60.0 | 55.8 | 52.1 | 48.8 | 46.0 | 36.2 | 29.0 | 24.1 | 20.7 | 18.1 | 16.1 | 14.5 | - | - | |
| 10 | 62.8 | 56.5 | 51.2 | 46.9 | 43.3 | 40.1 | 35.1 | 28.5 | - | - | - | - | - | - | - | |
| 15 | 61.3 | 54.0 | 48.3 | 43.6 | 39.8 | 36.6 | - | - | - | - | - | - | - | - | - | |
| 30 | 58.1 | 49.2 | 42.7 | - | - | - | - | - | - | - | - | - | - | - | - | |
| 1 | 66.6 | 64.5 | 61.7 | 57.7 | 46.2 | 38.5 | 28.8 | 23.1 | 19.2 | 16.5 | 14.4 | 12.8 | 11.5 | 10.5 | 9.2 | 60 |
| 2 | 66.2 | 62.1 | 58.6 | 52.3 | 41.8 | 34.8 | 26.1 | 20.9 | 17.4 | 14.9 | 13.1 | 11.6 | 10.5 | 9.5 | 8.4 | |
| 3 | 65.3 | 60.5 | 56.4 | 50.4 | 40.3 | 33.6 | 25.2 | 20.2 | 16.8 | 14.4 | 12.6 | 11.2 | 10.1 | 9.2 | 8.1 | |
| 4 | 64.5 | 59.1 | 54.6 | 49.5 | 39.6 | 33.0 | 24.8 | 19.8 | 16.5 | 14.2 | 12.4 | 11.0 | 9.9 | 9.0 | 7.9 | |
| 5 | 63.8 | 58.0 | 53.2 | 49.0 | 39.2 | 32.7 | 24.5 | 19.6 | 16.3 | 14.0 | 12.2 | 10.9 | 9.8 | - | - | |
| 10 | 61.3 | 54.0 | 48.2 | 43.6 | 38.3 | 31.9 | 23.9 | 19.2 | - | - | - | - | - | - | - | |
| 15 | 59.5 | 51.2 | 45.0 | 40.1 | 36.2 | 31.7 | - | - | - | - | - | - | - | - | - | |
| 30 | 55.8 | 46.0 | 39.2 | - | - | - | - | - | - | - | - | - | - | - | - | |
| 1 | 66.6 | 63.6 | 60.5 | 46.0 | 36.8 | 30.7 | 23.0 | 18.4 | 15.3 | 13.1 | 11.5 | 10.2 | 9.2 | 8.4 | 7.4 | 80 |
| 2 | 65.5 | 61.0 | 54.1 | 40.6 | 32.4 | 27.0 | 20.3 | 16.2 | 13.5 | 11.6 | 10.1 | 9.0 | 8.1 | 7.4 | 6.5 | |
| 3 | 64.5 | 59.1 | 51.6 | 38.7 | 31.0 | 25.8 | 19.4 | 15.5 | 12.9 | 11.1 | 9.7 | 8.6 | 7.7 | 7.0 | 6.2 | |
| 4 | 63.6 | 57.7 | 50.4 | 37.8 | 30.3 | 25.2 | 18.9 | 15.1 | 12.6 | 10.8 | 9.5 | 8.4 | 7.6 | 6.9 | 6.1 | |
| 5 | 62.8 | 56.4 | 49.7 | 37.3 | 29.8 | 24.9 | 18.6 | 14.9 | 12.4 | 10.7 | 9.3 | 8.3 | 7.5 | - | - | |
| 10 | 60.0 | 52.1 | 46.0 | 36.2 | 29.0 | 24.1 | 18.1 | 14.5 | - | - | - | - | - | - | - | |
| 15 | 58.0 | 49.1 | 42.6 | 35.8 | 28.7 | 23.9 | - | - | - | - | - | - | - | - | - | |
| 30 | 54.0 | 43.6 | 36.6 | - | - | - | - | - | - | - | - | - | - | - | - | |
| 1 | 66.6 | 62.8 | 52.0 | 39.0 | 31.2 | 26.0 | 19.5 | 15.6 | 13.0 | 11.1 | 9.7 | 8.7 | 7.8 | 7.1 | 6.2 | 100 |
| 2 | 65.0 | 60.0 | 44.7 | 33.5 | 26.8 | 22.4 | 16.8 | 13.4 | 11.2 | 9.6 | 8.4 | 7.5 | 6.7 | 6.1 | 5.4 | |
| 3 | 63.8 | 58.0 | 42.3 | 31.7 | 25.4 | 21.1 | 15.9 | 12.7 | 10.6 | 9.1 | 7.9 | 7.0 | 6.3 | 5.8 | 5.1 | |
| 4 | 62.8 | 56.4 | 41.1 | 30.8 | 24.6 | 20.5 | 15.4 | 12.3 | 10.3 | 8.8 | 7.7 | 6.8 | 6.2 | 5.6 | 4.9 | |
| 5 | 62.0 | 55.1 | 40.3 | 30.3 | 24.2 | 20.2 | 15.1 | 12.1 | 10.1 | 8.6 | 7.6 | 6.7 | 6.1 | - | - | |
| 10 | 58.9 | 50.5 | 38.9 | 29.2 | 23.3 | 19.4 | 14.6 | 11.7 | - | - | - | - | - | - | - | |
| 15 | 56.8 | 47.4 | 38.4 | 28.8 | 23.0 | 19.2 | - | - | - | - | - | - | - | - | - | |
| 30 | 52.5 | 41.7 | 34.6 | - | - | - | - | - | - | - | - | - | - | - | - | |
| 1 | 65.7 | 59.2 | 39.5 | 29.6 | 23.7 | 19.7 | 14.8 | 11.8 | 9.9 | 8.5 | 7.4 | 6.6 | 5.9 | 5.4 | 4.7 | 150 |
| 2 | 63.8 | 48.3 | 32.2 | 24.2 | 19.3 | 16.1 | 12.1 | 9.7 | 8.1 | 6.9 | 6.0 | 5.4 | 4.8 | 4.4 | 3.9 | |
| 3 | 62.4 | 44.7 | 29.8 | 22.4 | 17.9 | 14.9 | 11.2 | 8.9 | 7.5 | 6.4 | 5.6 | 5.0 | 4.5 | 4.1 | 3.6 | |
| 4 | 61.3 | 42.9 | 28.6 | 21.4 | 17.2 | 14.3 | 10.7 | 8.6 | 7.1 | 6.1 | 5.4 | 4.8 | 4.3 | 3.9 | 3.4 | |
| 5 | 60.3 | 41.8 | 27.9 | 20.9 | 16.7 | 13.9 | 10.5 | 8.4 | 7.0 | 6.0 | 5.2 | 4.6 | 4.2 | - | - | |
| 10 | 56.8 | 39.6 | 26.4 | 19.8 | 15.8 | 13.2 | 9.9 | 7.9 | - | - | - | - | - | - | - | |
| 15 | 54.4 | 38.9 | 25.9 | 19.4 | 15.6 | 13.0 | - | - | - | - | - | - | - | - | - | |
| 30 | 49.6 | 38.2 | 25.4 | - | - | - | - | - | - | - | - | - | - | - | - | |
| 1 | 63.8 | 40.5 | 27.0 | 20.3 | 16.2 | 13.5 | 10.1 | 8.1 | 6.8 | 5.8 | 5.1 | 4.5 | 4.1 | 3.7 | 3.2 | 300 |
| 2 | 59.2 | 29.6 | 19.7 | 14.8 | 11.8 | 9.9 | 7.4 | 5.9 | 4.9 | 4.2 | 3.7 | 3.3 | 3.0 | 2.7 | 2.4 | |
| 3 | 52.0 | 26.0 | 17.3 | 13.0 | 10.4 | 8.7 | 6.5 | 5.2 | 4.3 | 3.7 | 3.2 | 2.9 | 2.6 | 2.4 | 2.1 | |
| 4 | 48.3 | 24.2 | 16.1 | 12.1 | 9.7 | 8.1 | 6.0 | 4.8 | 4.0 | 3.5 | 3.0 | 2.7 | 2.4 | 2.2 | 1.9 | |
| 5 | 46.2 | 23.1 | 15.4 | 11.5 | 9.2 | 7.7 | 5.8 | 4.6 | 3.8 | 3.3 | 2.9 | 2.6 | 2.3 | - | - | |
| 10 | 41.8 | 20.9 | 13.9 | 10.5 | 8.4 | 7.0 | 5.2 | 4.2 | - | - | - | - | - | - | - | |
| 15 | 40.3 | 20.2 | 13.4 | 10.1 | 8.1 | 6.7 | - | - | - | - | - | - | - | - | - | |
| 30 | 38.9 | 19.4 | 13.0 | - | - | - | - | - | - | - | - | - | - | - | - | |



Abaco per carichi in serie - Serial load rating - Abaque de charges successives

▣ **1.0 - 1 ~ - 10000 min⁻¹**

| Potenza ammessa sul tubo in kW, per serie di n esposizioni, con frequenza z e durata di ogni esposizione in sec Anode input power as a function of n (N° of exposures in series), z (exp. rate per sec), the exposure time (sec) Puissance anodique en fonction de n (N° d'exp. de la série), z (cadence d'exp. par sec), temps d'exposition (sec) | | | | | | | | | | | | | | | | |
|--|-------|-------|-------|-------|-------|-------|-------|-------|-------|-------|-------|-------|-------|-------|-------|-----|
| z | 0.010 | 0.020 | 0.030 | 0.040 | 0.050 | 0.060 | 0.080 | 0.100 | 0.120 | 0.140 | 0.160 | 0.180 | 0.200 | 0.220 | 0.250 | n |
| 1 | 56.0 | 54.1 | 52.8 | 51.9 | 51.1 | 50.4 | 49.3 | 48.3 | 47.5 | 46.7 | 46.0 | 45.4 | 44.7 | 43.7 | 42.2 | 5 |
| 2 | 56.0 | 54.1 | 52.8 | 51.9 | 51.1 | 50.4 | 49.3 | 48.0 | 46.4 | 44.8 | 43.4 | 42.0 | 40.8 | 39.6 | 37.9 | |
| 3 | 56.0 | 54.1 | 52.8 | 51.9 | 51.1 | 50.4 | 48.2 | 46.2 | 44.3 | 42.6 | 41.0 | 39.6 | 38.2 | 36.9 | 35.1 | |
| 4 | 56.0 | 54.1 | 52.8 | 51.9 | 50.7 | 49.4 | 47.0 | 44.7 | 42.7 | 40.9 | 39.2 | 37.7 | 36.2 | 34.9 | 33.1 | |
| 5 | 56.0 | 54.1 | 52.8 | 51.4 | 49.9 | 48.5 | 45.9 | 43.5 | 41.4 | 39.5 | 37.8 | 36.2 | 34.7 | - | - | |
| 10 | 55.8 | 53.3 | 51.1 | 49.0 | 47.1 | 45.3 | 42.2 | 39.4 | - | - | - | - | - | - | - | |
| 15 | 55.2 | 52.3 | 49.7 | 47.3 | 45.2 | 43.2 | - | - | - | - | - | - | - | - | - | |
| 30 | 54.0 | 50.2 | 46.9 | - | - | - | - | - | - | - | - | - | - | - | - | |
| 1 | 56.0 | 54.1 | 52.8 | 51.9 | 51.1 | 50.4 | 49.3 | 48.0 | 46.4 | 44.8 | 43.4 | 42.0 | 40.8 | 39.6 | 37.9 | 10 |
| 2 | 56.0 | 54.1 | 52.8 | 51.9 | 50.7 | 49.4 | 46.9 | 44.7 | 42.7 | 40.9 | 39.2 | 37.6 | 36.2 | 34.9 | 33.1 | |
| 3 | 56.0 | 54.1 | 52.5 | 50.8 | 49.2 | 47.7 | 44.9 | 42.5 | 40.3 | 38.3 | 36.5 | 34.9 | 33.4 | 32.0 | 30.1 | |
| 4 | 56.0 | 53.8 | 51.7 | 49.8 | 48.0 | 46.4 | 43.4 | 40.8 | 38.4 | 36.4 | 34.5 | 32.8 | 31.3 | 29.9 | 28.0 | |
| 5 | 55.8 | 53.3 | 51.0 | 49.0 | 47.1 | 45.3 | 42.1 | 39.4 | 37.0 | 34.8 | 32.9 | 31.2 | 29.7 | - | - | |
| 10 | 54.7 | 51.4 | 48.5 | 45.9 | 43.5 | 41.4 | 37.8 | 34.7 | - | - | - | - | - | - | - | |
| 15 | 53.9 | 50.1 | 46.7 | 43.8 | 41.2 | 38.9 | - | - | - | - | - | - | - | - | - | |
| 30 | 52.3 | 47.3 | 43.2 | - | - | - | - | - | - | - | - | - | - | - | - | |
| 1 | 56.0 | 54.1 | 52.8 | 51.9 | 50.7 | 49.4 | 46.9 | 44.7 | 42.7 | 40.9 | 37.8 | 33.6 | 30.3 | 27.5 | 24.2 | 20 |
| 2 | 56.0 | 53.8 | 51.7 | 49.8 | 48.0 | 46.4 | 43.4 | 40.8 | 38.4 | 36.4 | 34.5 | 32.4 | 29.2 | 26.5 | 23.3 | |
| 3 | 55.5 | 52.8 | 50.4 | 48.2 | 46.2 | 44.3 | 41.0 | 38.2 | 35.7 | 33.5 | 31.6 | 29.9 | 28.3 | 26.2 | 23.0 | |
| 4 | 55.1 | 52.1 | 49.4 | 46.9 | 44.7 | 42.7 | 39.2 | 36.2 | 33.7 | 31.4 | 29.5 | 27.8 | 26.2 | 24.9 | 22.9 | |
| 5 | 54.7 | 51.4 | 48.5 | 45.9 | 43.5 | 41.4 | 37.7 | 34.7 | 32.1 | 29.8 | 27.9 | 26.1 | 24.6 | - | - | |
| 10 | 53.3 | 49.0 | 45.3 | 42.1 | 39.4 | 37.0 | 32.9 | 29.7 | - | - | - | - | - | - | - | |
| 15 | 52.3 | 47.2 | 43.1 | 39.6 | 36.7 | 34.1 | - | - | - | - | - | - | - | - | - | |
| 30 | 50.1 | 43.8 | 38.9 | - | - | - | - | - | - | - | - | - | - | - | - | |
| 1 | 56.0 | 53.8 | 51.7 | 49.8 | 48.0 | 46.4 | 40.6 | 32.4 | 27.0 | 23.2 | 20.3 | 18.0 | 16.2 | 14.7 | 13.0 | 40 |
| 2 | 55.1 | 52.1 | 49.4 | 46.9 | 44.7 | 42.7 | 37.8 | 30.3 | 25.2 | 21.6 | 18.9 | 16.8 | 15.1 | 13.8 | 12.1 | |
| 3 | 54.4 | 50.8 | 47.7 | 44.9 | 42.5 | 40.3 | 36.5 | 29.5 | 24.6 | 21.1 | 18.5 | 16.4 | 14.8 | 13.4 | 11.8 | |
| 4 | 53.8 | 49.8 | 46.4 | 43.4 | 40.8 | 38.4 | 34.5 | 29.2 | 24.3 | 20.8 | 18.2 | 16.2 | 14.6 | 13.3 | 11.7 | |
| 5 | 53.3 | 49.0 | 45.3 | 42.1 | 39.4 | 36.9 | 32.9 | 29.0 | 24.1 | 20.7 | 18.1 | 16.1 | 14.5 | - | - | |
| 10 | 51.4 | 45.9 | 41.4 | 37.7 | 34.7 | 32.1 | 27.9 | 24.6 | - | - | - | - | - | - | - | |
| 15 | 50.1 | 43.8 | 38.9 | 35.0 | 31.8 | 29.1 | - | - | - | - | - | - | - | - | - | |
| 30 | 47.2 | 39.6 | 34.1 | - | - | - | - | - | - | - | - | - | - | - | - | |
| 1 | 55.5 | 52.8 | 50.4 | 48.2 | 46.2 | 38.5 | 28.8 | 23.1 | 19.2 | 16.5 | 14.4 | 12.8 | 11.5 | 10.5 | 9.2 | 60 |
| 2 | 54.4 | 50.8 | 47.7 | 44.9 | 41.8 | 34.8 | 26.1 | 20.9 | 17.4 | 14.9 | 13.1 | 11.6 | 10.5 | 9.5 | 8.4 | |
| 3 | 53.5 | 49.4 | 45.8 | 42.7 | 40.0 | 33.6 | 25.2 | 20.2 | 16.8 | 14.4 | 12.6 | 11.2 | 10.1 | 9.2 | 8.1 | |
| 4 | 52.8 | 48.2 | 44.3 | 41.0 | 38.2 | 33.0 | 24.8 | 19.8 | 16.5 | 14.2 | 12.4 | 11.0 | 9.9 | 9.0 | 7.9 | |
| 5 | 52.2 | 47.2 | 43.1 | 39.6 | 36.7 | 32.7 | 24.5 | 19.6 | 16.3 | 14.0 | 12.2 | 10.9 | 9.8 | - | - | |
| 10 | 50.0 | 43.7 | 38.9 | 34.9 | 31.8 | 29.1 | 23.9 | 19.2 | - | - | - | - | - | - | - | |
| 15 | 48.5 | 41.4 | 36.1 | 32.1 | 28.8 | 26.1 | - | - | - | - | - | - | - | - | - | |
| 30 | 45.3 | 37.0 | 31.2 | - | - | - | - | - | - | - | - | - | - | - | - | |
| 1 | 55.1 | 52.1 | 49.4 | 46.0 | 36.8 | 30.7 | 23.0 | 18.4 | 15.3 | 13.1 | 11.5 | 10.2 | 9.2 | 8.4 | 7.4 | 80 |
| 2 | 53.8 | 49.8 | 46.4 | 40.6 | 32.4 | 27.0 | 20.3 | 16.2 | 13.5 | 11.6 | 10.1 | 9.0 | 8.1 | 7.4 | 6.5 | |
| 3 | 52.8 | 48.2 | 44.3 | 38.7 | 31.0 | 25.8 | 19.4 | 15.5 | 12.9 | 11.1 | 9.7 | 8.6 | 7.7 | 7.0 | 6.2 | |
| 4 | 52.1 | 46.9 | 42.7 | 37.8 | 30.3 | 25.2 | 18.9 | 15.1 | 12.6 | 10.8 | 9.5 | 8.4 | 7.6 | 6.9 | 6.1 | |
| 5 | 51.4 | 45.9 | 41.4 | 37.3 | 29.8 | 24.9 | 18.6 | 14.9 | 12.4 | 10.7 | 9.3 | 8.3 | 7.5 | - | - | |
| 10 | 49.0 | 42.1 | 36.9 | 32.9 | 29.0 | 24.1 | 18.1 | 14.5 | - | - | - | - | - | - | - | |
| 15 | 47.2 | 39.6 | 34.1 | 30.0 | 26.7 | 23.9 | - | - | - | - | - | - | - | - | - | |
| 30 | 43.8 | 35.0 | 29.1 | - | - | - | - | - | - | - | - | - | - | - | - | |
| 1 | 54.7 | 51.4 | 48.5 | 39.0 | 31.2 | 26.0 | 19.5 | 15.6 | 13.0 | 11.1 | 9.7 | 8.7 | 7.8 | 7.1 | 6.2 | 100 |
| 2 | 53.3 | 49.0 | 44.7 | 33.5 | 26.8 | 22.4 | 16.8 | 13.4 | 11.2 | 9.6 | 8.4 | 7.5 | 6.7 | 6.1 | 5.4 | |
| 3 | 52.2 | 47.2 | 42.3 | 31.7 | 25.4 | 21.1 | 15.9 | 12.7 | 10.6 | 9.1 | 7.9 | 7.0 | 6.3 | 5.8 | 5.1 | |
| 4 | 51.4 | 45.9 | 41.1 | 30.8 | 24.6 | 20.5 | 15.4 | 12.3 | 10.3 | 8.8 | 7.7 | 6.8 | 6.2 | 5.6 | 4.9 | |
| 5 | 50.7 | 44.7 | 40.0 | 30.3 | 24.2 | 20.2 | 15.1 | 12.1 | 10.1 | 8.6 | 7.6 | 6.7 | 6.1 | - | - | |
| 10 | 48.0 | 40.8 | 35.4 | 29.2 | 23.3 | 19.4 | 14.6 | 11.7 | - | - | - | - | - | - | - | |
| 15 | 46.2 | 38.2 | 32.5 | 28.3 | 23.0 | 19.2 | - | - | - | - | - | - | - | - | - | |
| 30 | 42.5 | 33.4 | 27.5 | - | - | - | - | - | - | - | - | - | - | - | - | |
| 1 | 53.9 | 50.0 | 39.5 | 29.6 | 23.7 | 19.7 | 14.8 | 11.8 | 9.9 | 8.5 | 7.4 | 6.6 | 5.9 | 5.4 | 4.7 | 150 |
| 2 | 52.2 | 47.2 | 32.2 | 24.2 | 19.3 | 16.1 | 12.1 | 9.7 | 8.1 | 6.9 | 6.0 | 5.4 | 4.8 | 4.4 | 3.9 | |
| 3 | 51.0 | 44.7 | 29.8 | 22.4 | 17.9 | 14.9 | 11.2 | 8.9 | 7.5 | 6.4 | 5.6 | 5.0 | 4.5 | 4.1 | 3.6 | |
| 4 | 50.0 | 42.9 | 28.6 | 21.4 | 17.2 | 14.3 | 10.7 | 8.6 | 7.1 | 6.1 | 5.4 | 4.8 | 4.3 | 3.9 | 3.4 | |
| 5 | 49.2 | 41.8 | 27.9 | 20.9 | 16.7 | 13.9 | 10.5 | 8.4 | 7.0 | 6.0 | 5.2 | 4.6 | 4.2 | - | - | |
| 10 | 46.2 | 38.2 | 26.4 | 19.8 | 15.8 | 13.2 | 9.9 | 7.9 | - | - | - | - | - | - | - | |
| 15 | 44.1 | 35.4 | 25.9 | 19.4 | 15.6 | 13.0 | - | - | - | - | - | - | - | - | - | |
| 30 | 40.0 | 30.4 | 24.5 | - | - | - | - | - | - | - | - | - | - | - | - | |
| 1 | 52.2 | 40.5 | 27.0 | 20.3 | 16.2 | 13.5 | 10.1 | 8.1 | 6.8 | 5.8 | 5.1 | 4.5 | 4.1 | 3.7 | 3.2 | 300 |
| 2 | 50.0 | 29.6 | 19.7 | 14.8 | 11.8 | 9.9 | 7.4 | 5.9 | 4.9 | 4.2 | 3.7 | 3.3 | 3.0 | 2.7 | 2.4 | |
| 3 | 48.5 | 26.0 | 17.3 | 13.0 | 10.4 | 8.7 | 6.5 | 5.2 | 4.3 | 3.7 | 3.2 | 2.9 | 2.6 | 2.4 | 2.1 | |
| 4 | 47.2 | 24.2 | 16.1 | 12.1 | 9.7 | 8.1 | 6.0 | 4.8 | 4.0 | 3.5 | 3.0 | 2.7 | 2.4 | 2.2 | 1.9 | |
| 5 | 46.2 | 23.1 | 15.4 | 11.5 | 9.2 | 7.7 | 5.8 | 4.6 | 3.8 | 3.3 | 2.9 | 2.6 | 2.3 | - | - | |
| 10 | 41.8 | 20.9 | 13.9 | 10.5 | 8.4 | 7.0 | 5.2 | 4.2 | - | - | - | - | - | - | - | |
| 15 | 40.0 | 20.2 | 13.4 | 10.1 | 8.1 | 6.7 | - | - | - | - | - | - | - | - | - | |
| 30 | 35.4 | 19.4 | 13.0 | - | - | - | - | - | - | - | - | - | - | - | - | |



Abaco per carichi in serie - Serial load rating - Abaque de charges successives

■ **2.0 - 1 ~ - 10000 min⁻¹**

| Potenza ammessa sul tubo in kW, per serie di n esposizioni, con frequenza z e durata di ogni esposizione in sec Anode input power as a function of n (N° of exposures in series), z (exp. rate per sec), the exposure time (sec) Puissance anodique en fonction de n (N° d'exp. de la série), z (cadence d'exp. par sec), temps d'exposition (sec) | | | | | | | | | | | | | | n | | |
|--|-------|-------|-------|-------|-------|-------|-------|-------|-------|-------|-------|-------|-------|------|-------|-------|
| z | 0.010 | 0.020 | 0.030 | 0.040 | 0.050 | 0.060 | 0.080 | 0.100 | 0.120 | 0.140 | 0.160 | 0.180 | 0.200 | | 0.220 | 0.250 |
| 1 | 116.8 | 111.2 | 107.8 | 105.1 | 103.0 | 101.1 | 98.1 | 95.5 | 93.4 | 91.5 | 89.8 | 88.2 | 86.4 | 83.9 | 80.4 | 5 |
| 2 | 116.8 | 111.2 | 107.8 | 105.1 | 103.0 | 101.1 | 98.1 | 94.9 | 90.6 | 86.7 | 83.2 | 79.9 | 76.8 | 74.0 | 70.2 | |
| 3 | 116.8 | 111.2 | 107.8 | 105.1 | 103.0 | 101.1 | 95.3 | 90.1 | 85.5 | 81.3 | 77.4 | 74.0 | 70.8 | 67.9 | 63.9 | |
| 4 | 116.8 | 111.2 | 107.8 | 105.1 | 101.9 | 98.4 | 92.1 | 86.5 | 81.6 | 77.2 | 73.2 | 69.6 | 66.4 | 63.5 | 59.5 | |
| 5 | 116.8 | 111.2 | 107.8 | 103.9 | 99.8 | 96.1 | 89.4 | 83.5 | 78.4 | 73.9 | 69.8 | 66.2 | 63.0 | - | - | |
| 10 | 116.1 | 109.1 | 102.9 | 97.4 | 92.4 | 87.9 | 80.2 | 73.7 | - | - | - | - | - | - | - | |
| 15 | 114.4 | 106.3 | 99.2 | 93.0 | 87.5 | 82.6 | - | - | - | - | - | - | - | - | - | |
| 30 | 111.0 | 100.5 | 91.8 | - | - | - | - | - | - | - | - | - | - | - | - | |
| 1 | 116.8 | 111.2 | 107.8 | 105.1 | 103.0 | 101.1 | 98.1 | 94.8 | 90.6 | 83.3 | 72.9 | 64.8 | 58.3 | 53.0 | 46.7 | 10 |
| 2 | 116.8 | 111.2 | 107.8 | 105.1 | 101.9 | 98.4 | 92.0 | 86.4 | 81.5 | 77.1 | 71.6 | 63.6 | 57.3 | 52.1 | 45.8 | |
| 3 | 116.8 | 111.2 | 106.9 | 102.2 | 97.9 | 94.0 | 87.0 | 80.9 | 75.7 | 71.1 | 67.0 | 63.2 | 56.9 | 51.7 | 45.5 | |
| 4 | 116.8 | 110.4 | 104.7 | 99.5 | 94.9 | 90.6 | 83.2 | 76.8 | 71.4 | 66.7 | 62.5 | 58.9 | 55.7 | 51.6 | 45.4 | |
| 5 | 116.0 | 109.0 | 102.8 | 97.3 | 92.3 | 87.8 | 80.0 | 73.5 | 68.0 | 63.2 | 59.1 | 55.5 | 52.3 | - | - | |
| 10 | 113.0 | 103.9 | 96.1 | 89.4 | 83.5 | 78.4 | 69.8 | 63.0 | - | - | - | - | - | - | - | |
| 15 | 110.9 | 100.2 | 91.5 | 84.1 | 77.9 | 72.5 | - | - | - | - | - | - | - | - | - | |
| 30 | 106.3 | 93.0 | 82.6 | - | - | - | - | - | - | - | - | - | - | - | - | |
| 1 | 116.8 | 111.2 | 107.8 | 105.1 | 101.9 | 98.3 | 75.7 | 60.5 | 50.4 | 43.2 | 37.8 | 33.6 | 30.3 | 27.5 | 24.2 | 20 |
| 2 | 116.8 | 110.4 | 104.7 | 99.5 | 94.8 | 90.6 | 72.9 | 58.3 | 48.6 | 41.7 | 36.5 | 32.4 | 29.2 | 26.5 | 23.3 | |
| 3 | 115.3 | 107.8 | 101.2 | 95.3 | 90.1 | 85.4 | 72.0 | 57.6 | 48.0 | 41.2 | 36.0 | 32.0 | 28.8 | 26.2 | 23.0 | |
| 4 | 114.1 | 105.6 | 98.4 | 92.0 | 86.4 | 81.5 | 71.6 | 57.3 | 47.7 | 40.9 | 35.8 | 31.8 | 28.6 | 26.0 | 22.9 | |
| 5 | 113.0 | 103.8 | 96.0 | 89.3 | 83.5 | 78.3 | 69.8 | 57.0 | 47.5 | 40.7 | 35.6 | 31.7 | 28.5 | - | - | |
| 10 | 109.0 | 97.3 | 87.8 | 80.0 | 73.5 | 68.0 | 59.1 | 52.3 | - | - | - | - | - | - | - | |
| 15 | 106.2 | 92.8 | 82.4 | 74.2 | 67.4 | 61.8 | - | - | - | - | - | - | - | - | - | |
| 30 | 100.2 | 84.1 | 72.5 | - | - | - | - | - | - | - | - | - | - | - | - | |
| 1 | 116.8 | 110.4 | 104.7 | 81.1 | 64.9 | 54.1 | 40.6 | 32.4 | 27.0 | 23.2 | 20.3 | 18.0 | 16.2 | 14.7 | 13.0 | 40 |
| 2 | 114.1 | 105.6 | 98.3 | 75.7 | 60.5 | 50.4 | 37.8 | 30.3 | 25.2 | 21.6 | 18.9 | 16.8 | 15.1 | 13.8 | 12.1 | |
| 3 | 112.1 | 102.2 | 94.0 | 73.8 | 59.1 | 49.2 | 36.9 | 29.5 | 24.6 | 21.1 | 18.5 | 16.4 | 14.8 | 13.4 | 11.8 | |
| 4 | 110.4 | 99.5 | 90.6 | 72.9 | 58.3 | 48.6 | 36.5 | 29.2 | 24.3 | 20.8 | 18.2 | 16.2 | 14.6 | 13.3 | 11.7 | |
| 5 | 109.0 | 97.3 | 87.8 | 72.4 | 57.9 | 48.3 | 36.2 | 29.0 | 24.1 | 20.7 | 18.1 | 16.1 | 14.5 | - | - | |
| 10 | 103.8 | 89.3 | 78.3 | 69.8 | 57.0 | 47.5 | 35.6 | 28.5 | - | - | - | - | - | - | - | |
| 15 | 100.2 | 84.0 | 72.4 | 63.5 | 56.6 | 47.3 | - | - | - | - | - | - | - | - | - | |
| 30 | 92.8 | 74.2 | 61.8 | - | - | - | - | - | - | - | - | - | - | - | - | |
| 1 | 115.3 | 107.8 | 76.9 | 57.7 | 46.2 | 38.5 | 28.8 | 23.1 | 19.2 | 16.5 | 14.4 | 12.8 | 11.5 | 10.5 | 9.2 | 60 |
| 2 | 112.1 | 102.2 | 69.7 | 52.3 | 41.8 | 34.8 | 26.1 | 20.9 | 17.4 | 14.9 | 13.1 | 11.6 | 10.5 | 9.5 | 8.4 | |
| 3 | 109.7 | 98.3 | 67.2 | 50.4 | 40.3 | 33.6 | 25.2 | 20.2 | 16.8 | 14.4 | 12.6 | 11.2 | 10.1 | 9.2 | 8.1 | |
| 4 | 107.8 | 95.3 | 66.0 | 49.5 | 39.6 | 33.0 | 24.8 | 19.8 | 16.5 | 14.2 | 12.4 | 11.0 | 9.9 | 9.0 | 7.9 | |
| 5 | 106.1 | 92.8 | 65.3 | 49.0 | 39.2 | 32.7 | 24.5 | 19.6 | 16.3 | 14.0 | 12.2 | 10.9 | 9.8 | - | - | |
| 10 | 100.2 | 84.0 | 63.9 | 47.9 | 38.3 | 31.9 | 23.9 | 19.2 | - | - | - | - | - | - | - | |
| 15 | 96.0 | 78.3 | 63.4 | 47.5 | 38.0 | 31.7 | - | - | - | - | - | - | - | - | - | |
| 30 | 87.8 | 68.0 | 55.5 | - | - | - | - | - | - | - | - | - | - | - | - | |
| 1 | 114.1 | 92.0 | 61.3 | 46.0 | 36.8 | 30.7 | 23.0 | 18.4 | 15.3 | 13.1 | 11.5 | 10.2 | 9.2 | 8.4 | 7.4 | 80 |
| 2 | 110.4 | 81.1 | 54.1 | 40.6 | 32.4 | 27.0 | 20.3 | 16.2 | 13.5 | 11.6 | 10.1 | 9.0 | 8.1 | 7.4 | 6.5 | |
| 3 | 107.8 | 77.5 | 51.6 | 38.7 | 31.0 | 25.8 | 19.4 | 15.5 | 12.9 | 11.1 | 9.7 | 8.6 | 7.7 | 7.0 | 6.2 | |
| 4 | 105.6 | 75.7 | 50.4 | 37.8 | 30.3 | 25.2 | 18.9 | 15.1 | 12.6 | 10.8 | 9.5 | 8.4 | 7.6 | 6.9 | 6.1 | |
| 5 | 103.8 | 74.6 | 49.7 | 37.3 | 29.8 | 24.9 | 18.6 | 14.9 | 12.4 | 10.7 | 9.3 | 8.3 | 7.5 | - | - | |
| 10 | 97.3 | 72.4 | 48.3 | 36.2 | 29.0 | 24.1 | 18.1 | 14.5 | - | - | - | - | - | - | - | |
| 15 | 92.8 | 71.7 | 47.8 | 35.8 | 28.7 | 23.9 | - | - | - | - | - | - | - | - | - | |
| 30 | 84.0 | 63.5 | 47.3 | - | - | - | - | - | - | - | - | - | - | - | - | |
| 1 | 113.0 | 78.0 | 52.0 | 39.0 | 31.2 | 26.0 | 19.5 | 15.6 | 13.0 | 11.1 | 9.7 | 8.7 | 7.8 | 7.1 | 6.2 | 100 |
| 2 | 109.0 | 67.1 | 44.7 | 33.5 | 26.8 | 22.4 | 16.8 | 13.4 | 11.2 | 9.6 | 8.4 | 7.5 | 6.7 | 6.1 | 5.4 | |
| 3 | 106.1 | 63.4 | 42.3 | 31.7 | 25.4 | 21.1 | 15.9 | 12.7 | 10.6 | 9.1 | 7.9 | 7.0 | 6.3 | 5.8 | 5.1 | |
| 4 | 103.8 | 61.6 | 41.1 | 30.8 | 24.6 | 20.5 | 15.4 | 12.3 | 10.3 | 8.8 | 7.7 | 6.8 | 6.2 | 5.6 | 4.9 | |
| 5 | 101.9 | 60.5 | 40.3 | 30.3 | 24.2 | 20.2 | 15.1 | 12.1 | 10.1 | 8.6 | 7.6 | 6.7 | 6.1 | - | - | |
| 10 | 94.8 | 58.3 | 38.9 | 29.2 | 23.3 | 19.4 | 14.6 | 11.7 | - | - | - | - | - | - | - | |
| 15 | 90.1 | 57.6 | 38.4 | 28.8 | 23.0 | 19.2 | - | - | - | - | - | - | - | - | - | |
| 30 | 80.9 | 56.9 | 37.9 | - | - | - | - | - | - | - | - | - | - | - | - | |
| 1 | 110.8 | 59.2 | 39.5 | 29.6 | 23.7 | 19.7 | 14.8 | 11.8 | 9.9 | 8.5 | 7.4 | 6.6 | 5.9 | 5.4 | 4.7 | 150 |
| 2 | 96.7 | 48.3 | 32.2 | 24.2 | 19.3 | 16.1 | 12.1 | 9.7 | 8.1 | 6.9 | 6.0 | 5.4 | 4.8 | 4.4 | 3.9 | |
| 3 | 89.4 | 44.7 | 29.8 | 22.4 | 17.9 | 14.9 | 11.2 | 8.9 | 7.5 | 6.4 | 5.6 | 5.0 | 4.5 | 4.1 | 3.6 | |
| 4 | 85.8 | 42.9 | 28.6 | 21.4 | 17.2 | 14.3 | 10.7 | 8.6 | 7.1 | 6.1 | 5.4 | 4.8 | 4.3 | 3.9 | 3.4 | |
| 5 | 83.6 | 41.8 | 27.9 | 20.9 | 16.7 | 13.9 | 10.5 | 8.4 | 7.0 | 6.0 | 5.2 | 4.6 | 4.2 | - | - | |
| 10 | 79.2 | 39.6 | 26.4 | 19.8 | 15.8 | 13.2 | 9.9 | 7.9 | - | - | - | - | - | - | - | |
| 15 | 77.8 | 38.9 | 25.9 | 19.4 | 15.6 | 13.0 | - | - | - | - | - | - | - | - | - | |
| 30 | 75.1 | 38.2 | 25.4 | - | - | - | - | - | - | - | - | - | - | - | - | |
| 1 | 81.0 | 40.5 | 27.0 | 20.3 | 16.2 | 13.5 | 10.1 | 8.1 | 6.8 | 5.8 | 5.1 | 4.5 | 4.1 | 3.7 | 3.2 | 300 |
| 2 | 59.2 | 29.6 | 19.7 | 14.8 | 11.8 | 9.9 | 7.4 | 5.9 | 4.9 | 4.2 | 3.7 | 3.3 | 3.0 | 2.7 | 2.4 | |
| 3 | 52.0 | 26.0 | 17.3 | 13.0 | 10.4 | 8.7 | 6.5 | 5.2 | 4.3 | 3.7 | 3.2 | 2.9 | 2.6 | 2.4 | 2.1 | |
| 4 | 48.3 | 24.2 | 16.1 | 12.1 | 9.7 | 8.1 | 6.0 | 4.8 | 4.0 | 3.5 | 3.0 | 2.7 | 2.4 | 2.2 | 1.9 | |
| 5 | 46.2 | 23.1 | 15.4 | 11.5 | 9.2 | 7.7 | 5.8 | 4.6 | 3.8 | 3.3 | 2.9 | 2.6 | 2.3 | - | - | |
| 10 | 41.8 | 20.9 | 13.9 | 10.5 | 8.4 | 7.0 | 5.2 | 4.2 | - | - | - | - | - | - | - | |
| 15 | 40.3 | 20.2 | 13.4 | 10.1 | 8.1 | 6.7 | - | - | - | - | - | - | - | - | - | |
| 30 | 38.9 | 19.4 | 13.0 | - | - | - | - | - | - | - | - | - | - | - | - | |



Abaco per carichi in serie - Serial load rating - Abaque de charges successives

▣ **1.0 - 3 ~ - 10000 min⁻¹**

| Potenza ammessa sul tubo in kW, per serie di n esposizioni, con frequenza z e durata di ogni esposizione in sec Anode input power as a function of n (N° of exposures in series), z (exp. rate per sec), the exposure time (sec) Puissance anodique en fonction de n (N° d'exp. de la série), z (cadence d'exp. par sec), temps d'exposition (sec) | | | | | | | | | | | | | | | | |
|--|-------|-------|-------|-------|-------|-------|-------|-------|-------|-------|-------|-------|-------|-------|-------|-----|
| z | 0.010 | 0.020 | 0.030 | 0.040 | 0.050 | 0.060 | 0.080 | 0.100 | 0.120 | 0.140 | 0.160 | 0.180 | 0.200 | 0.220 | 0.250 | n |
| 1 | 66.7 | 63.9 | 62.2 | 60.9 | 59.8 | 58.9 | 57.3 | 56.0 | 54.9 | 53.9 | 53.0 | 52.2 | 51.3 | 49.9 | 48.0 | 5 |
| 2 | 66.7 | 63.9 | 62.2 | 60.9 | 59.8 | 58.9 | 57.3 | 55.7 | 53.5 | 51.4 | 49.5 | 47.8 | 46.1 | 44.6 | 42.5 | |
| 3 | 66.7 | 63.9 | 62.2 | 60.9 | 59.8 | 58.9 | 55.9 | 53.2 | 50.7 | 48.5 | 46.5 | 44.6 | 42.8 | 41.2 | 39.0 | |
| 4 | 66.7 | 63.9 | 62.2 | 60.9 | 59.3 | 57.5 | 54.2 | 51.3 | 48.7 | 46.3 | 44.2 | 42.2 | 40.4 | 38.8 | 36.5 | |
| 5 | 66.7 | 63.9 | 62.2 | 60.3 | 58.2 | 56.3 | 52.8 | 49.7 | 47.0 | 44.5 | 42.3 | 40.3 | 38.5 | - | - | |
| 10 | 66.3 | 62.9 | 59.8 | 57.0 | 54.4 | 52.1 | 47.9 | 44.4 | - | - | - | - | - | - | - | |
| 15 | 65.5 | 61.5 | 57.9 | 54.7 | 51.8 | 49.2 | - | - | - | - | - | - | - | - | - | |
| 30 | 63.8 | 58.5 | 54.1 | - | - | - | - | - | - | - | - | - | - | - | - | |
| 1 | 66.7 | 63.9 | 62.2 | 60.9 | 59.8 | 58.9 | 57.3 | 55.7 | 53.4 | 51.4 | 49.5 | 47.8 | 46.1 | 44.6 | 42.5 | 10 |
| 2 | 66.7 | 63.9 | 62.2 | 60.9 | 59.2 | 57.5 | 54.2 | 51.3 | 48.6 | 46.3 | 44.1 | 42.2 | 40.4 | 38.7 | 36.5 | |
| 3 | 66.7 | 63.9 | 61.8 | 59.4 | 57.2 | 55.2 | 51.5 | 48.3 | 45.5 | 43.0 | 40.7 | 38.7 | 36.9 | 35.2 | 33.0 | |
| 4 | 66.7 | 63.5 | 60.7 | 58.1 | 55.7 | 53.5 | 49.5 | 46.1 | 43.2 | 40.6 | 38.3 | 36.2 | 34.4 | 32.7 | 30.5 | |
| 5 | 66.3 | 62.8 | 59.7 | 56.9 | 54.3 | 52.0 | 47.9 | 44.3 | 41.3 | 38.7 | 36.3 | 34.3 | 32.4 | - | - | |
| 10 | 64.8 | 60.3 | 56.3 | 52.8 | 49.7 | 47.0 | 42.3 | 38.5 | - | - | - | - | - | - | - | |
| 15 | 63.7 | 58.4 | 53.9 | 50.0 | 46.7 | 43.8 | - | - | - | - | - | - | - | - | - | |
| 30 | 61.5 | 54.7 | 49.2 | - | - | - | - | - | - | - | - | - | - | - | - | |
| 1 | 66.7 | 63.9 | 62.2 | 60.9 | 59.2 | 57.4 | 54.2 | 51.3 | 48.6 | 43.2 | 37.8 | 33.6 | 30.3 | 27.5 | 24.2 | 20 |
| 2 | 66.7 | 63.5 | 60.7 | 58.1 | 55.7 | 53.4 | 49.5 | 46.1 | 43.2 | 40.6 | 36.5 | 32.4 | 29.2 | 26.5 | 23.3 | |
| 3 | 65.9 | 62.2 | 58.9 | 55.9 | 53.2 | 50.7 | 46.4 | 42.8 | 39.7 | 37.0 | 34.7 | 32.0 | 28.8 | 26.2 | 23.0 | |
| 4 | 65.3 | 61.1 | 57.5 | 54.2 | 51.3 | 48.6 | 44.1 | 40.4 | 37.2 | 34.5 | 32.2 | 30.2 | 28.4 | 26.0 | 22.9 | |
| 5 | 64.8 | 60.2 | 56.3 | 52.8 | 49.7 | 46.9 | 42.3 | 38.5 | 35.3 | 32.6 | 30.3 | 28.3 | 26.5 | - | - | |
| 10 | 62.8 | 56.9 | 52.0 | 47.9 | 44.3 | 41.3 | 36.3 | 32.4 | - | - | - | - | - | - | - | |
| 15 | 61.4 | 54.6 | 49.1 | 44.7 | 41.0 | 37.8 | - | - | - | - | - | - | - | - | - | |
| 30 | 58.4 | 50.0 | 43.8 | - | - | - | - | - | - | - | - | - | - | - | - | |
| 1 | 66.7 | 63.5 | 60.7 | 58.0 | 55.6 | 53.4 | 40.6 | 32.4 | 27.0 | 23.2 | 20.3 | 18.0 | 16.2 | 14.7 | 13.0 | 40 |
| 2 | 65.3 | 61.1 | 57.4 | 54.2 | 51.3 | 48.6 | 37.8 | 30.3 | 25.2 | 21.6 | 18.9 | 16.8 | 15.1 | 13.8 | 12.1 | |
| 3 | 64.3 | 59.4 | 55.2 | 51.5 | 48.3 | 45.5 | 36.9 | 29.5 | 24.6 | 21.1 | 18.5 | 16.4 | 14.8 | 13.4 | 11.8 | |
| 4 | 63.5 | 58.1 | 53.4 | 49.5 | 46.1 | 43.2 | 36.5 | 29.2 | 24.3 | 20.8 | 18.2 | 16.2 | 14.6 | 13.3 | 11.7 | |
| 5 | 62.8 | 56.9 | 52.0 | 47.8 | 44.3 | 41.3 | 36.2 | 29.0 | 24.1 | 20.7 | 18.1 | 16.1 | 14.5 | - | - | |
| 10 | 60.2 | 52.8 | 46.9 | 42.3 | 38.5 | 35.3 | 30.3 | 26.5 | - | - | - | - | - | - | - | |
| 15 | 58.4 | 50.0 | 43.7 | 38.8 | 34.9 | 31.7 | - | - | - | - | - | - | - | - | - | |
| 30 | 54.6 | 44.7 | 37.8 | - | - | - | - | - | - | - | - | - | - | - | - | |
| 1 | 65.9 | 62.2 | 58.9 | 55.9 | 46.2 | 38.5 | 28.8 | 23.1 | 19.2 | 16.5 | 14.4 | 12.8 | 11.5 | 10.5 | 9.2 | 60 |
| 2 | 64.3 | 59.4 | 55.2 | 51.5 | 41.8 | 34.8 | 26.1 | 20.9 | 17.4 | 14.9 | 13.1 | 11.6 | 10.5 | 9.5 | 8.4 | |
| 3 | 63.2 | 57.4 | 52.7 | 48.6 | 40.3 | 33.6 | 25.2 | 20.2 | 16.8 | 14.4 | 12.6 | 11.2 | 10.1 | 9.2 | 8.1 | |
| 4 | 62.2 | 55.9 | 50.7 | 46.4 | 39.6 | 33.0 | 24.8 | 19.8 | 16.5 | 14.2 | 12.4 | 11.0 | 9.9 | 9.0 | 7.9 | |
| 5 | 61.4 | 54.6 | 49.1 | 44.7 | 39.2 | 32.7 | 24.5 | 19.6 | 16.3 | 14.0 | 12.2 | 10.9 | 9.8 | - | - | |
| 10 | 58.4 | 50.0 | 43.7 | 38.8 | 34.9 | 31.7 | 23.9 | 19.2 | - | - | - | - | - | - | - | |
| 15 | 56.3 | 46.9 | 40.3 | 35.3 | 31.4 | 28.3 | - | - | - | - | - | - | - | - | - | |
| 30 | 52.0 | 41.3 | 34.3 | - | - | - | - | - | - | - | - | - | - | - | - | |
| 1 | 65.3 | 61.1 | 57.4 | 46.0 | 36.8 | 30.7 | 23.0 | 18.4 | 15.3 | 13.1 | 11.5 | 10.2 | 9.2 | 8.4 | 7.4 | 80 |
| 2 | 63.5 | 58.0 | 53.4 | 40.6 | 32.4 | 27.0 | 20.3 | 16.2 | 13.5 | 11.6 | 10.1 | 9.0 | 8.1 | 7.4 | 6.5 | |
| 3 | 62.2 | 55.9 | 50.7 | 38.7 | 31.0 | 25.8 | 19.4 | 15.5 | 12.9 | 11.1 | 9.7 | 8.6 | 7.7 | 7.0 | 6.2 | |
| 4 | 61.1 | 54.2 | 48.6 | 37.8 | 30.3 | 25.2 | 18.9 | 15.1 | 12.6 | 10.8 | 9.5 | 8.4 | 7.6 | 6.9 | 6.1 | |
| 5 | 60.2 | 52.8 | 46.9 | 37.3 | 29.8 | 24.9 | 18.6 | 14.9 | 12.4 | 10.7 | 9.3 | 8.3 | 7.5 | - | - | |
| 10 | 56.9 | 47.8 | 41.3 | 36.2 | 29.0 | 24.1 | 18.1 | 14.5 | - | - | - | - | - | - | - | |
| 15 | 54.6 | 44.7 | 37.8 | 32.8 | 28.7 | 23.9 | - | - | - | - | - | - | - | - | - | |
| 30 | 50.0 | 38.8 | 31.7 | - | - | - | - | - | - | - | - | - | - | - | - | |
| 1 | 64.8 | 60.2 | 52.0 | 39.0 | 31.2 | 26.0 | 19.5 | 15.6 | 13.0 | 11.1 | 9.7 | 8.7 | 7.8 | 7.1 | 6.2 | 100 |
| 2 | 62.8 | 56.9 | 44.7 | 33.5 | 26.8 | 22.4 | 16.8 | 13.4 | 11.2 | 9.6 | 8.4 | 7.5 | 6.7 | 6.1 | 5.4 | |
| 3 | 61.4 | 54.6 | 42.3 | 31.7 | 25.4 | 21.1 | 15.9 | 12.7 | 10.6 | 9.1 | 7.9 | 7.0 | 6.3 | 5.8 | 5.1 | |
| 4 | 60.2 | 52.8 | 41.1 | 30.8 | 24.6 | 20.5 | 15.4 | 12.3 | 10.3 | 8.8 | 7.7 | 6.8 | 6.2 | 5.6 | 4.9 | |
| 5 | 59.2 | 51.3 | 40.3 | 30.3 | 24.2 | 20.2 | 15.1 | 12.1 | 10.1 | 8.6 | 7.6 | 6.7 | 6.1 | - | - | |
| 10 | 55.7 | 46.1 | 38.9 | 29.2 | 23.3 | 19.4 | 14.6 | 11.7 | - | - | - | - | - | - | - | |
| 15 | 53.2 | 42.8 | 35.8 | 28.8 | 23.0 | 19.2 | - | - | - | - | - | - | - | - | - | |
| 30 | 48.3 | 36.9 | 29.8 | - | - | - | - | - | - | - | - | - | - | - | - | |
| 1 | 63.7 | 58.4 | 39.5 | 29.6 | 23.7 | 19.7 | 14.8 | 11.8 | 9.9 | 8.5 | 7.4 | 6.6 | 5.9 | 5.4 | 4.7 | 150 |
| 2 | 61.4 | 48.3 | 32.2 | 24.2 | 19.3 | 16.1 | 12.1 | 9.7 | 8.1 | 6.9 | 6.0 | 5.4 | 4.8 | 4.4 | 3.9 | |
| 3 | 59.7 | 44.7 | 29.8 | 22.4 | 17.9 | 14.9 | 11.2 | 8.9 | 7.5 | 6.4 | 5.6 | 5.0 | 4.5 | 4.1 | 3.6 | |
| 4 | 58.4 | 42.9 | 28.6 | 21.4 | 17.2 | 14.3 | 10.7 | 8.6 | 7.1 | 6.1 | 5.4 | 4.8 | 4.3 | 3.9 | 3.4 | |
| 5 | 57.2 | 41.8 | 27.9 | 20.9 | 16.7 | 13.9 | 10.5 | 8.4 | 7.0 | 6.0 | 5.2 | 4.6 | 4.2 | - | - | |
| 10 | 53.2 | 39.6 | 26.4 | 19.8 | 15.8 | 13.2 | 9.9 | 7.9 | - | - | - | - | - | - | - | |
| 15 | 50.4 | 38.9 | 25.9 | 19.4 | 15.6 | 13.0 | - | - | - | - | - | - | - | - | - | |
| 30 | 45.2 | 33.3 | 25.4 | - | - | - | - | - | - | - | - | - | - | - | - | |
| 1 | 61.4 | 40.5 | 27.0 | 20.3 | 16.2 | 13.5 | 10.1 | 8.1 | 6.8 | 5.8 | 5.1 | 4.5 | 4.1 | 3.7 | 3.2 | 300 |
| 2 | 58.4 | 29.6 | 19.7 | 14.8 | 11.8 | 9.9 | 7.4 | 5.9 | 4.9 | 4.2 | 3.7 | 3.3 | 3.0 | 2.7 | 2.4 | |
| 3 | 52.0 | 26.0 | 17.3 | 13.0 | 10.4 | 8.7 | 6.5 | 5.2 | 4.3 | 3.7 | 3.2 | 2.9 | 2.6 | 2.4 | 2.1 | |
| 4 | 48.3 | 24.2 | 16.1 | 12.1 | 9.7 | 8.1 | 6.0 | 4.8 | 4.0 | 3.5 | 3.0 | 2.7 | 2.4 | 2.2 | 1.9 | |
| 5 | 46.2 | 23.1 | 15.4 | 11.5 | 9.2 | 7.7 | 5.8 | 4.6 | 3.8 | 3.3 | 2.9 | 2.6 | 2.3 | - | - | |
| 10 | 41.8 | 20.9 | 13.9 | 10.5 | 8.4 | 7.0 | 5.2 | 4.2 | - | - | - | - | - | - | - | |
| 15 | 40.3 | 20.2 | 13.4 | 10.1 | 8.1 | 6.7 | - | - | - | - | - | - | - | - | - | |
| 30 | 38.9 | 19.4 | 13.0 | - | - | - | - | - | - | - | - | - | - | - | - | |

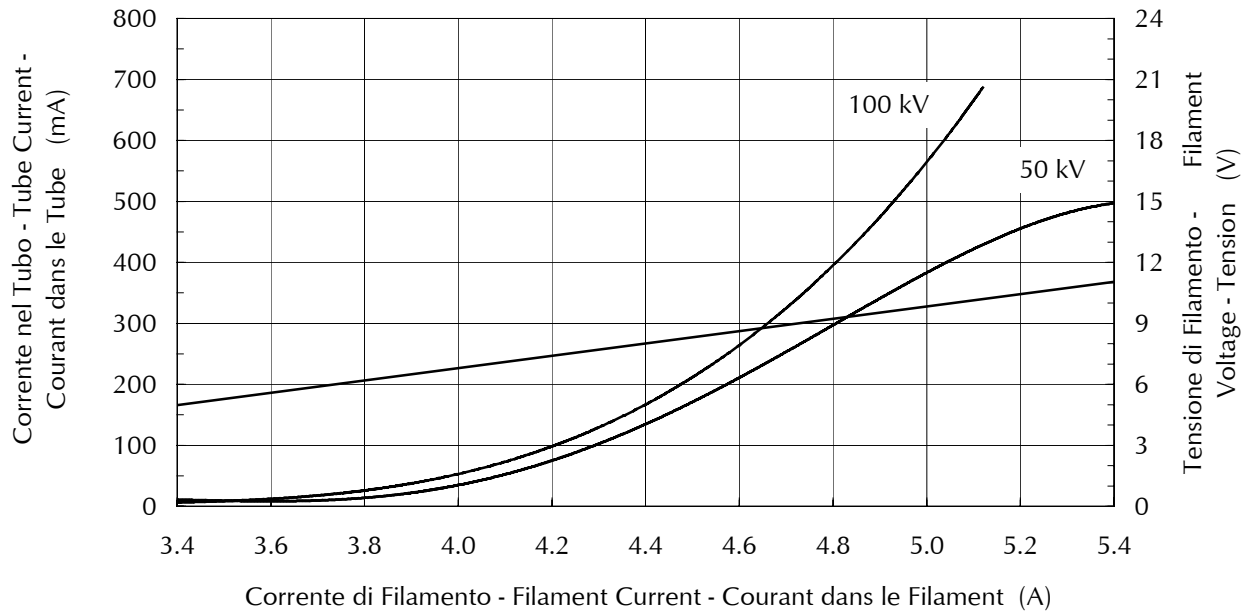


Abaco per carichi in serie - Serial load rating - Abaque de charges successives

■ **2.0 - 3 ~ - 10000 min⁻¹**

| Potenza ammessa sul tubo in kW, per serie di n esposizioni, con frequenza z e durata di ogni esposizione in sec Anode input power as a function of n (N° of exposures in series), z (exp. rate per sec), the exposure time (sec) Puissance anodique en fonction de n (N° d'exp. de la série), z (cadence d'exp. par sec), temps d'exposition (sec) | | | | | | | | | | | | | | | | |
|--|-------|-------|-------|-------|-------|-------|-------|-------|-------|-------|-------|-------|-------|-------|-------|-----|
| z | 0.010 | 0.020 | 0.030 | 0.040 | 0.050 | 0.060 | 0.080 | 0.100 | 0.120 | 0.140 | 0.160 | 0.180 | 0.200 | 0.220 | 0.250 | n |
| 1 | 138.6 | 130.7 | 126.0 | 122.5 | 119.5 | 117.1 | 113.0 | 109.6 | 106.8 | 104.3 | 102.1 | 100.1 | 97.8 | 94.6 | 90.1 | 5 |
| 2 | 138.6 | 130.7 | 126.0 | 122.5 | 119.5 | 117.1 | 113.0 | 108.7 | 103.2 | 98.2 | 93.6 | 89.5 | 85.7 | 82.2 | 77.5 | |
| 3 | 138.6 | 130.7 | 126.0 | 122.5 | 119.5 | 117.1 | 109.3 | 102.6 | 96.6 | 91.2 | 86.4 | 82.1 | 78.2 | 74.7 | 69.9 | |
| 4 | 138.6 | 130.7 | 126.0 | 122.5 | 118.1 | 113.4 | 105.1 | 97.9 | 91.6 | 86.1 | 81.2 | 76.8 | 72.9 | 69.4 | 64.7 | |
| 5 | 138.6 | 130.7 | 126.0 | 120.7 | 115.3 | 110.3 | 101.6 | 94.1 | 87.6 | 82.0 | 77.1 | 72.7 | 68.8 | - | - | |
| 10 | 137.5 | 127.8 | 119.4 | 112.1 | 105.5 | 99.7 | 89.9 | 81.8 | - | - | - | - | - | - | - | |
| 15 | 135.3 | 124.0 | 114.4 | 106.3 | 99.2 | 93.0 | - | - | - | - | - | - | - | - | - | |
| 30 | 130.5 | 116.2 | 104.7 | - | - | - | - | - | - | - | - | - | - | - | - | |
| 1 | 138.6 | 130.7 | 126.0 | 122.5 | 119.5 | 117.1 | 113.0 | 108.7 | 97.2 | 83.3 | 72.9 | 64.8 | 58.3 | 53.0 | 46.7 | 10 |
| 2 | 138.6 | 130.7 | 126.0 | 122.5 | 118.0 | 113.3 | 105.0 | 97.8 | 91.5 | 81.8 | 71.6 | 63.6 | 57.3 | 52.1 | 45.8 | |
| 3 | 138.6 | 130.7 | 124.9 | 118.5 | 112.8 | 107.6 | 98.5 | 90.8 | 84.3 | 78.6 | 71.1 | 63.2 | 56.9 | 51.7 | 45.5 | |
| 4 | 138.6 | 129.7 | 121.9 | 114.9 | 108.7 | 103.2 | 93.6 | 85.7 | 79.0 | 73.2 | 68.3 | 63.0 | 56.7 | 51.6 | 45.4 | |
| 5 | 137.5 | 127.8 | 119.3 | 111.9 | 105.4 | 99.6 | 89.7 | 81.6 | 74.8 | 69.1 | 64.2 | 59.9 | 56.2 | - | - | |
| 10 | 133.3 | 120.7 | 110.3 | 101.6 | 94.1 | 87.6 | 77.1 | 68.8 | - | - | - | - | - | - | - | |
| 15 | 130.3 | 115.8 | 104.3 | 94.8 | 87.0 | 80.3 | - | - | - | - | - | - | - | - | - | |
| 30 | 124.0 | 106.3 | 93.0 | - | - | - | - | - | - | - | - | - | - | - | - | |
| 1 | 138.6 | 130.7 | 126.0 | 122.5 | 118.0 | 100.9 | 75.7 | 60.5 | 50.4 | 43.2 | 37.8 | 33.6 | 30.3 | 27.5 | 24.2 | 20 |
| 2 | 138.6 | 129.7 | 121.8 | 114.9 | 108.7 | 97.2 | 72.9 | 58.3 | 48.6 | 41.7 | 36.5 | 32.4 | 29.2 | 26.5 | 23.3 | |
| 3 | 136.5 | 126.0 | 117.1 | 109.3 | 102.5 | 96.0 | 72.0 | 57.6 | 48.0 | 41.2 | 36.0 | 32.0 | 28.8 | 26.2 | 23.0 | |
| 4 | 134.7 | 123.1 | 113.3 | 105.0 | 97.8 | 91.5 | 71.6 | 57.3 | 47.7 | 40.9 | 35.8 | 31.8 | 28.6 | 26.0 | 22.9 | |
| 5 | 133.3 | 120.7 | 110.2 | 101.5 | 94.0 | 87.6 | 71.3 | 57.0 | 47.5 | 40.7 | 35.6 | 31.7 | 28.5 | - | - | |
| 10 | 127.8 | 111.9 | 99.6 | 89.7 | 81.6 | 74.8 | 64.2 | 56.2 | - | - | - | - | - | - | - | |
| 15 | 123.8 | 106.0 | 92.7 | 82.4 | 74.1 | 67.3 | - | - | - | - | - | - | - | - | - | |
| 30 | 115.8 | 94.8 | 80.3 | - | - | - | - | - | - | - | - | - | - | - | - | |
| 1 | 138.6 | 129.7 | 108.1 | 81.1 | 64.9 | 54.1 | 40.6 | 32.4 | 27.0 | 23.2 | 20.3 | 18.0 | 16.2 | 14.7 | 13.0 | 40 |
| 2 | 134.7 | 123.1 | 100.9 | 75.7 | 60.5 | 50.4 | 37.8 | 30.3 | 25.2 | 21.6 | 18.9 | 16.8 | 15.1 | 13.8 | 12.1 | |
| 3 | 131.9 | 118.5 | 98.5 | 73.8 | 59.1 | 49.2 | 36.9 | 29.5 | 24.6 | 21.1 | 18.5 | 16.4 | 14.8 | 13.4 | 11.8 | |
| 4 | 129.7 | 114.9 | 97.2 | 72.9 | 58.3 | 48.6 | 36.5 | 29.2 | 24.3 | 20.8 | 18.2 | 16.2 | 14.6 | 13.3 | 11.7 | |
| 5 | 127.7 | 111.9 | 96.5 | 72.4 | 57.9 | 48.3 | 36.2 | 29.0 | 24.1 | 20.7 | 18.1 | 16.1 | 14.5 | - | - | |
| 10 | 120.7 | 101.5 | 87.6 | 71.3 | 57.0 | 47.5 | 35.6 | 28.5 | - | - | - | - | - | - | - | |
| 15 | 115.8 | 94.7 | 80.2 | 69.5 | 56.7 | 47.3 | - | - | - | - | - | - | - | - | - | |
| 30 | 106.0 | 82.4 | 67.3 | - | - | - | - | - | - | - | - | - | - | - | - | |
| 1 | 136.5 | 115.4 | 76.9 | 57.7 | 46.2 | 38.5 | 28.8 | 23.1 | 19.2 | 16.5 | 14.4 | 12.8 | 11.5 | 10.5 | 9.2 | 60 |
| 2 | 131.9 | 104.5 | 69.7 | 52.3 | 41.8 | 34.8 | 26.1 | 20.9 | 17.4 | 14.9 | 13.1 | 11.6 | 10.5 | 9.5 | 8.4 | |
| 3 | 128.7 | 100.9 | 67.2 | 50.4 | 40.3 | 33.6 | 25.2 | 20.2 | 16.8 | 14.4 | 12.6 | 11.2 | 10.1 | 9.2 | 8.1 | |
| 4 | 126.0 | 99.1 | 66.0 | 49.5 | 39.6 | 33.0 | 24.8 | 19.8 | 16.5 | 14.2 | 12.4 | 11.0 | 9.9 | 9.0 | 7.9 | |
| 5 | 123.8 | 98.0 | 65.3 | 49.0 | 39.2 | 32.7 | 24.5 | 19.6 | 16.3 | 14.0 | 12.2 | 10.9 | 9.8 | - | - | |
| 10 | 115.7 | 94.7 | 63.9 | 47.9 | 38.3 | 31.9 | 23.9 | 19.2 | - | - | - | - | - | - | - | |
| 15 | 110.2 | 87.6 | 63.4 | 47.5 | 38.0 | 31.7 | - | - | - | - | - | - | - | - | - | |
| 30 | 99.6 | 74.8 | 59.9 | - | - | - | - | - | - | - | - | - | - | - | - | |
| 1 | 134.7 | 92.0 | 61.3 | 46.0 | 36.8 | 30.7 | 23.0 | 18.4 | 15.3 | 13.1 | 11.5 | 10.2 | 9.2 | 8.4 | 7.4 | 80 |
| 2 | 129.7 | 81.1 | 54.1 | 40.6 | 32.4 | 27.0 | 20.3 | 16.2 | 13.5 | 11.6 | 10.1 | 9.0 | 8.1 | 7.4 | 6.5 | |
| 3 | 126.0 | 77.5 | 51.6 | 38.7 | 31.0 | 25.8 | 19.4 | 15.5 | 12.9 | 11.1 | 9.7 | 8.6 | 7.7 | 7.0 | 6.2 | |
| 4 | 123.1 | 75.7 | 50.4 | 37.8 | 30.3 | 25.2 | 18.9 | 15.1 | 12.6 | 10.8 | 9.5 | 8.4 | 7.6 | 6.9 | 6.1 | |
| 5 | 120.7 | 74.6 | 49.7 | 37.3 | 29.8 | 24.9 | 18.6 | 14.9 | 12.4 | 10.7 | 9.3 | 8.3 | 7.5 | - | - | |
| 10 | 111.9 | 72.4 | 48.3 | 36.2 | 29.0 | 24.1 | 18.1 | 14.5 | - | - | - | - | - | - | - | |
| 15 | 106.0 | 71.7 | 47.8 | 35.8 | 28.7 | 23.9 | - | - | - | - | - | - | - | - | - | |
| 30 | 94.7 | 69.5 | 47.3 | - | - | - | - | - | - | - | - | - | - | - | - | |
| 1 | 133.3 | 78.0 | 52.0 | 39.0 | 31.2 | 26.0 | 19.5 | 15.6 | 13.0 | 11.1 | 9.7 | 8.7 | 7.8 | 7.1 | 6.2 | 100 |
| 2 | 127.7 | 67.1 | 44.7 | 33.5 | 26.8 | 22.4 | 16.8 | 13.4 | 11.2 | 9.6 | 8.4 | 7.5 | 6.7 | 6.1 | 5.4 | |
| 3 | 123.8 | 63.4 | 42.3 | 31.7 | 25.4 | 21.1 | 15.9 | 12.7 | 10.6 | 9.1 | 7.9 | 7.0 | 6.3 | 5.8 | 5.1 | |
| 4 | 120.7 | 61.6 | 41.1 | 30.8 | 24.6 | 20.5 | 15.4 | 12.3 | 10.3 | 8.8 | 7.7 | 6.8 | 6.2 | 5.6 | 4.9 | |
| 5 | 118.0 | 60.5 | 40.3 | 30.3 | 24.2 | 20.2 | 15.1 | 12.1 | 10.1 | 8.6 | 7.6 | 6.7 | 6.1 | - | - | |
| 10 | 108.7 | 58.3 | 38.9 | 29.2 | 23.3 | 19.4 | 14.6 | 11.7 | - | - | - | - | - | - | - | |
| 15 | 102.5 | 57.6 | 38.4 | 28.8 | 23.0 | 19.2 | - | - | - | - | - | - | - | - | - | |
| 30 | 90.8 | 56.9 | 37.9 | - | - | - | - | - | - | - | - | - | - | - | - | |
| 1 | 118.5 | 59.2 | 39.5 | 29.6 | 23.7 | 19.7 | 14.8 | 11.8 | 9.9 | 8.5 | 7.4 | 6.6 | 5.9 | 5.4 | 4.7 | 150 |
| 2 | 96.7 | 48.3 | 32.2 | 24.2 | 19.3 | 16.1 | 12.1 | 9.7 | 8.1 | 6.9 | 6.0 | 5.4 | 4.8 | 4.4 | 3.9 | |
| 3 | 89.4 | 44.7 | 29.8 | 22.4 | 17.9 | 14.9 | 11.2 | 8.9 | 7.5 | 6.4 | 5.6 | 5.0 | 4.5 | 4.1 | 3.6 | |
| 4 | 85.8 | 42.9 | 28.6 | 21.4 | 17.2 | 14.3 | 10.7 | 8.6 | 7.1 | 6.1 | 5.4 | 4.8 | 4.3 | 3.9 | 3.4 | |
| 5 | 83.6 | 41.8 | 27.9 | 20.9 | 16.7 | 13.9 | 10.5 | 8.4 | 7.0 | 6.0 | 5.2 | 4.6 | 4.2 | - | - | |
| 10 | 79.2 | 39.6 | 26.4 | 19.8 | 15.8 | 13.2 | 9.9 | 7.9 | - | - | - | - | - | - | - | |
| 15 | 77.8 | 38.9 | 25.9 | 19.4 | 15.6 | 13.0 | - | - | - | - | - | - | - | - | - | |
| 30 | 76.3 | 38.2 | 25.4 | - | - | - | - | - | - | - | - | - | - | - | - | |
| 1 | 81.0 | 40.5 | 27.0 | 20.3 | 16.2 | 13.5 | 10.1 | 8.1 | 6.8 | 5.8 | 5.1 | 4.5 | 4.1 | 3.7 | 3.2 | 300 |
| 2 | 59.2 | 29.6 | 19.7 | 14.8 | 11.8 | 9.9 | 7.4 | 5.9 | 4.9 | 4.2 | 3.7 | 3.3 | 3.0 | 2.7 | 2.4 | |
| 3 | 52.0 | 26.0 | 17.3 | 13.0 | 10.4 | 8.7 | 6.5 | 5.2 | 4.3 | 3.7 | 3.2 | 2.9 | 2.6 | 2.4 | 2.1 | |
| 4 | 48.3 | 24.2 | 16.1 | 12.1 | 9.7 | 8.1 | 6.0 | 4.8 | 4.0 | 3.5 | 3.0 | 2.7 | 2.4 | 2.2 | 1.9 | |
| 5 | 46.2 | 23.1 | 15.4 | 11.5 | 9.2 | 7.7 | 5.8 | 4.6 | 3.8 | 3.3 | 2.9 | 2.6 | 2.3 | - | - | |
| 10 | 41.8 | 20.9 | 13.9 | 10.5 | 8.4 | 7.0 | 5.2 | 4.2 | - | - | - | - | - | - | - | |
| 15 | 40.3 | 20.2 | 13.4 | 10.1 | 8.1 | 6.7 | - | - | - | - | - | - | - | - | - | |
| 30 | 38.9 | 19.4 | 13.0 | - | - | - | - | - | - | - | - | - | - | - | - | |

Caratteristica di emissione del catodo
Cathode emission characteristic
Caractéristique d'émission de la cathode
 □ 1.0 - 3 ~ - (± 0.2 A)



Caratteristica di emissione del catodo
Cathode emission characteristic
Caractéristique d'émission de la cathode
 ■ 2.0 - 3 ~ - (± 0.2 A)

