



#### APPLICATION

Rotating anode graphite X-ray tube specifically designed for high throughput and special applications (angiographic, cath-lab, digital X-ray systems).

#### CHARACTERISTICS

- Very high anode heat storage for repeated sequences, improving user productivity
- Enhanced anode heat dissipation, provided by high emittance coatings and target design
- Focal track in tungsten-rhenium alloy to prevent cracking and improving lifetime
- Severe tests during conditioning assure best performances
- Available also special version for reloading in GE-CGR and SIEMENS housings (supplied with anode end adaptation piece)

# ORTC10000

ROTATING ANODE X-RAY TUBE  
GRAPHITE X-RAY TUBE  
FOR SPECIAL APPLICATIONS

#### SPECIFICATIONS

Maximum peak voltage \_\_\_\_\_ 150 kV  
 Anode angle and diameter \_\_\_\_\_ 13° - 110 mm  
 Maximum anode dissipation \_\_\_\_\_ 1200 W (96000 HU/min)  
 Anode heat storage capacity \_\_\_\_\_ 840 kJ (1120 kWh)  
 Rotating anode speed \_\_\_\_\_ 3000 - 10000 rpm

#### FOCAL SPOTS AND POWERS

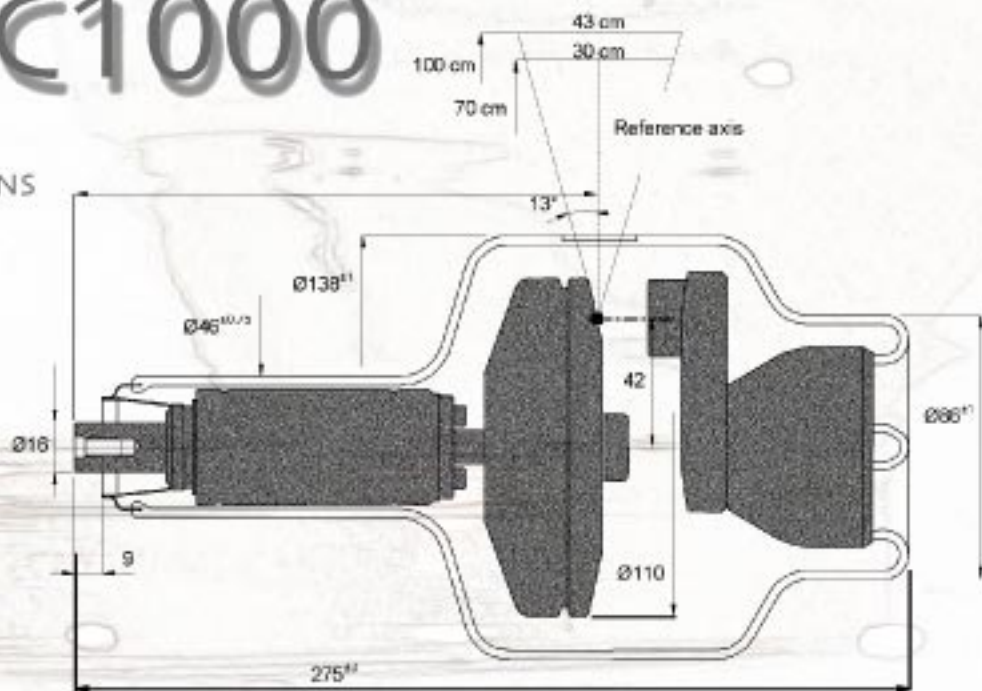
		FOCAL SPOTS	0.6 mm	1.0 mm	1.2 mm	1.3 mm	1.5 mm	2.0 mm
NOMINAL INPUT POWERS	low speed		22 kW	40 kW	55 kW	60 kW	70 kW	90 kW
	high speed		37 kW	68 kW	100 kW	105 kW	125 kW	150 kW

Focal spots combinations: 0.6/1.2 - 0.6/1.3 - 0.6/1.5 - 1.0/2.0



# RTC1000

## DIMENSIONS



## IAE HOUSINGS



C52 SUPER

	high voltage	heat storage capacity	maximum cooling rate		net weight
			natural convection	ventilation	
C52 SUPER	150 kV	1280 kJ 1700kHU	230 W	370 W	21 KG

## RELOADING

CGR STATORIX 550 IAE CODE: CG100



## ORDERING GUIDELINES

### TUBE TYPES

RTC1000HS 0.6/1.2 • RTC1000HS 0.6/1.3 • RTC1000HS 0.6/1.5 • RTC1000HS 1.0/2.0

To assure that you receive the proper tube, please check the following information at the time of order:

- focal spots combination
- need for special version for reloading in GE-CGR, SIEMENS and PHILIPS housings
- (in case of complete unit order) horn angle of the tube housing high voltage receptacles and necessity of fan or heat exchanger
- any interface kit that may be required

Please note that standard focal spots combinations are 0.6/1.2 - 0.6/1.3 - 0.6/1.5

Should you still have questions about the compatibility of a replacement tube unit call our customer service:

+39 02 66303255

IAE SPA ITALY via Fabio Filzi. 53 20032 CORMANO MI tel +39 02 66303255 fax +39 02 6152544 iaexray@iae.it www.iae.it  
IAE FRANCE sas 90, Blvd St.Michel 91150 ETAMPES tel +33 16 4948044 fax +33 16 4949956 iaefrance@wanadoo.fr