



APPLICATION

Rotating anode graphite X-ray tube specifically designed for high throughput and special applications. Typical purpose is remote controlled tables.

CHARACTERISTICS

- High anode heat storage for repeated loading
- Enhanced anode heat dissipation, provided by high emittance coatings and target design
- Focal track in tungsten-rhenium alloy to prevent cracking
- Reduced thermal stress on the bearings improves tube life duration
- Severe tests during conditioning assure best performances
- Available also special version for reloading in GE-CGR and SIEMENS housings (supplied with anode end adaptation piece)

ORTC600

ROTATING ANODE X-RAY TUBE
GRAPHITE X-RAY TUBE
FOR SPECIAL APPLICATIONS

SPECIFICATIONS

Maximum peak voltage	150 kV
Anode angle	8°
Maximum anode dissipation	1000 W (80 000 HU/min)
Anode heat storage capacity	450 kJ (600 kHU)
Rotating anode speed	3000 - 10000 rpm

FOCAL SPOTS AND POWERS

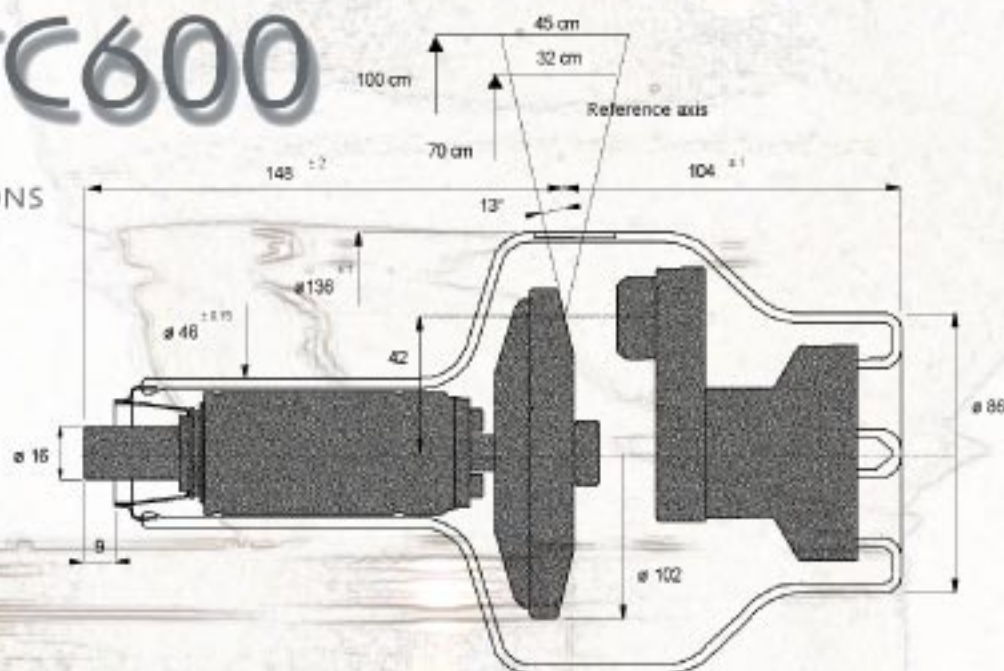
FOCAL SPOTS		0.6 mm	1.0 mm	1.2 mm	1.3 mm	1.5 mm	2.0 mm
NOMINAL INPUT POWERS	low speed	24 kW	40 kW	55 kW	60 kW	70 kW	90 kW
	high speed	43 kW	68 kW	100 kW	105 kW	125 kW	150 kW

Focal spots combinations: 0.6/1.2 - 0.6/1.3 - 0.6/1.5 - 1.0/2.0



RTC600

DIMENSIONS



IAE HOUSINGS



C52 SUPER

	high voltage	heat storage capacity	maximum cooling rate		net weight
			natural convection	ventilation	
C100	150 kV	1500kJ 2000kHU	250 W	600 W	25 KG
C52 SUPER	150 kV	1280 kJ 1700kHU	230 W	370 W	21 KG



C100

RELOADING

CGR STATORIX 550 IAE CODE: CG100



ORDERING GUIDELINES

TUBE TYPES

RTC600HS 0.6/1.2 • RTC600HS 0.6/1.3 • RTC600HS 0.6/1.5 • RTC600HS 1.0/2.0

To assure that you receive the proper tube, please check the following information at the time of order:

- focal spots combination
- need for special version for reloading in GE-CGR, SIEMENS and PHILIPS housings
- (in case of complete unit order) horn angle of the tube housing high voltage receptacles and necessity of fan or heat exchanger
- any interface kit that may be required

Please note that standard focal spots combinations are 0.6/1.2 - 0.6/1.3 - 0.6/1.5

Should you still have questions about the compatibility of a replacement tube unit call our customer service:

+39 02 66303255

IAE SPA ITALY via Fabio Filzi. 53 20032 CORMANO MI tel +39 02 66303255 fax +39 02 6152544 iaexray@iae.it www.iae.it
IAE FRANCE sas 90, Blvd St. Michel 91150 ETAMPES tel +33 16 4948044 fax +33 16 4949956 iaefrance@wanadoo.fr