



APPLICATION

Rotating anode X-ray tube specifically designed for surgical C-arms.

CHARACTERISTICS

- TzM target with large thermal capacity and 3" diameter
- Focal track in tungsten-rhenium alloy to prevent cracking
- High-thermal emittance oxide coating on anode and rotor provides high anode heat dissipation rate
- Severe tests during conditioning assure best performances

ORTM 70

ROTATING ANODE X-RAY TUBE
FOR SURGICAL C-ARM

SPECIFICATIONS

Maximum peak voltage..... 130 kV
Anode angle and diameter..... 10° - 73 mm
Maximum anode dissipation..... 500 W (40 000 HU/min)
Anode heat storage capacity..... 225 kJ (300 kHU)
Rotating anode speed..... 3000 rpm

FOCAL SPOTS AND POWERS

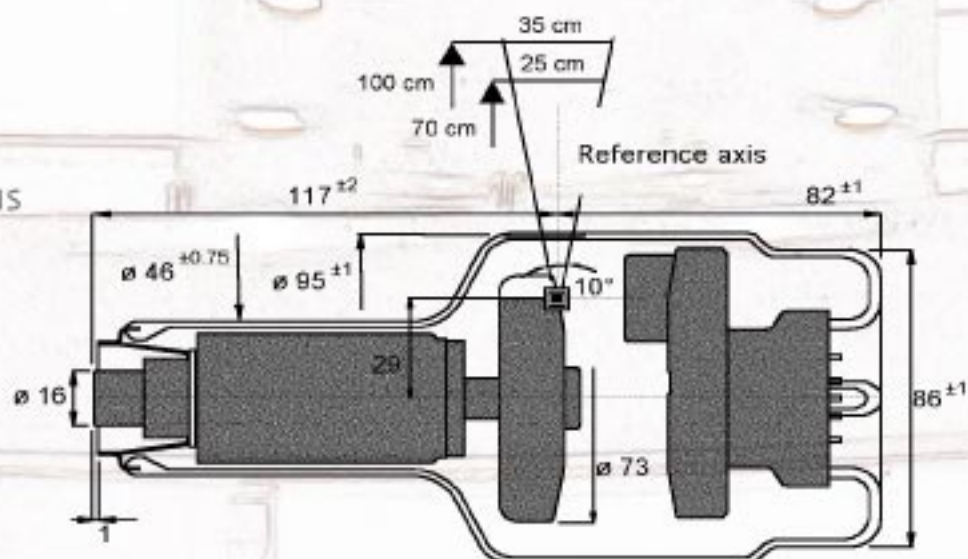
FOCAL SPOTS	0.3 mm	0.6 mm
NOMINAL INPUT POWERS	6 kW	25 kW

CE 0051



RTM 70

DIMENSIONS



IAE HOUSINGS

	high voltage	heat storage capacity	maximum cooling rate		net weight
			natural convection	ventilation	
C30	125 kV	500 kJ	140 W	700 W	15 KG



C30



Should you still have questions about the compatibility of a replacement tube unit call our customer service:
+39 02 66303255