



APPLICATION

Rotating anode X-ray tube specifically designed for general radiographic, from medium to heavy duty x-ray systems.

CHARACTERISTICS

- TzM target with large thermal capacity for 3" diameter
- Focal track in tungsten-rhenium alloy to prevent cracking
- High-thermal emittance oxide coating on anode and rotor provides high anode heat dissipation rate
- Severe tests during conditioning assure best performances

ORTM 78

ROTATING ANODE X-RAY TUBE FOR MEDIUM DUTY SYSTEM

SPECIFICATIONS

Maximum peak voltage	150 kV
Anode angle and diameter	15° - 73 mm
Maximum anode dissipation	750 W (60 000 HU/min)
Anode heat storage capacity	225 kJ (300 kHU)
Rotating anode speed	3000 - 10000 rpm

FOCAL SPOTS AND POWERS

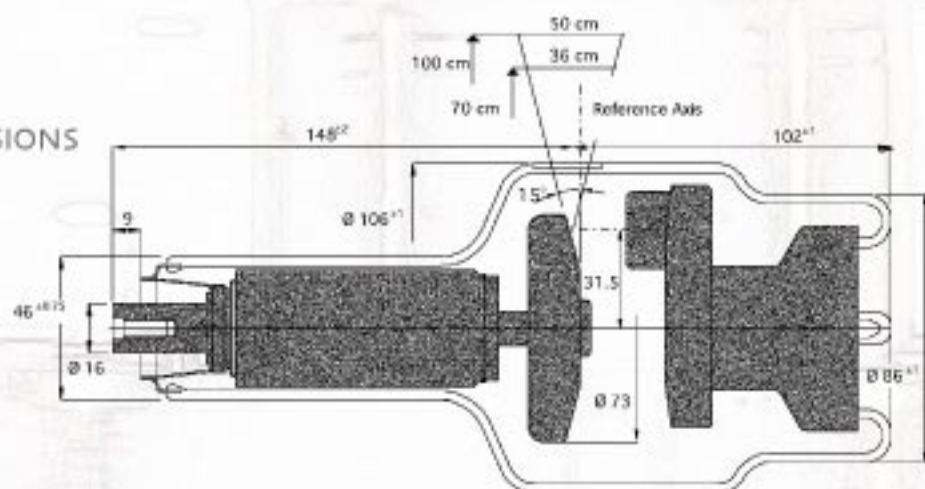
	FOCAL SPOTS	0.6 mm	1.0 mm	1.2 mm	2.0 mm
NOMINAL INPUT POWERS	low speed	20 kW	35 kW	44 kW	75 kW
	high speed	32 kW	65 kW	78 kW	137 kW

Focal spots combinations: 0.6/1.2 - 1.0/2.0



RTM 78

DIMENSIONS



IAE HOUSINGS

	high voltage	heat storage capacity	maximum cooling rate		net weight
			natural convection	ventilation	
C32	150 kV	1280 kJ 1700kHU	230 W	370 W	20 KG
C52	150 kV	1280 kJ 1700kHU	230 W	370 W	21 KG



ORDERING GUIDELINES

TUBE TYPES

3000 rpm: RTM78H 0.6/1.2 • RTM78H 1.0/2.0
3000-10000 rpm: RTM78HS 0.6/1.2 • RTM78HS 1.0/2.0

To assure that you receive the proper tube, please check the following information at the time of order:

- focal spots combination
- (in case of complete unit order) horn angle of the tube housing high voltage receptacles and necessity of fan or heat exchanger
- any interface kit that may be require

Should you still have questions about the compatibility of a replacement tube unit call our customer service:
+39 02 66303255