



APPLICATION

Rotating anode X-ray tube specifically designed for general radiographic, from medium to heavy duty x-ray systems.

CHARACTERISTICS

- Bearing assembly and bearing lubricant system are designed for long life under hardest x-ray operating conditions
- Focal track in tungsten-rhenium alloy to prevent cracking
- High-thermal emittance oxide coating on anode and rotor provides high anode heat dissipation rate
- Severe tests during conditioning assure best performances
- Available also special versions for:
 - reloading in GE-CGR and SIEMENS housings (supplied with anode end adaptation piece)
 - PHILIPS equipment, to assure full filament emission compatibility

ORTM 90

ROTATING ANODE X-RAY TUBE FOR MEDIUM DUTY SYSTEMS

SPECIFICATIONS

- Maximum peak voltage _____ 150 kV
- Anode angle and diameter _____ 12.5° - 90 mm
- Maximum anode dissipation _____ 1000 W (80 000 HU/min)
- Anode heat storage capacity _____ 225 kJ (300 kHU)
- Rotating anode speed _____ 3000 - 10000 rpm

FOCAL SPOTS AND POWERS

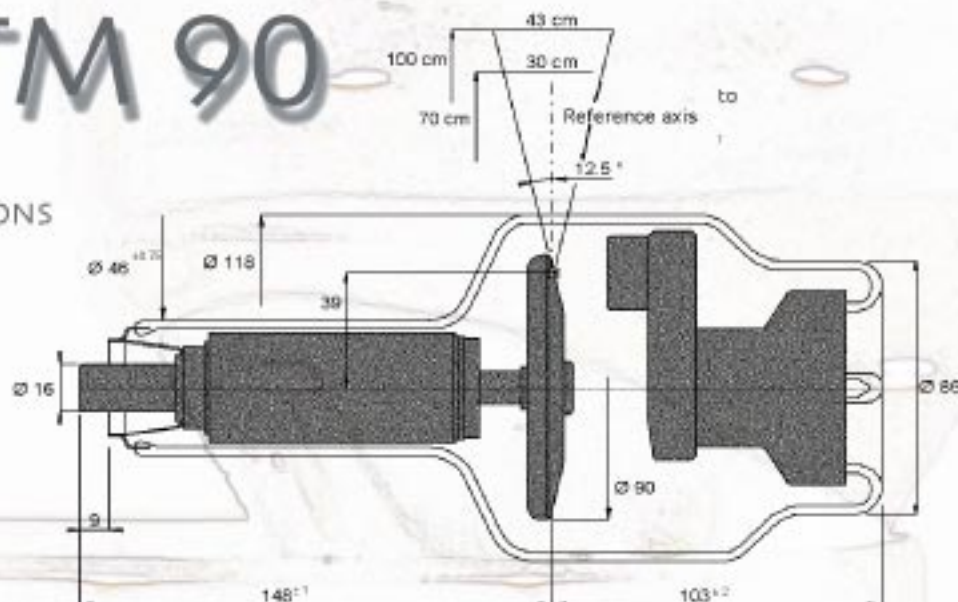
	FOCAL SPOTS	0.3 mm	0.6 mm	0.9 mm	1.0 mm	1.2 mm	1.3 mm	1.5 mm	2.0 mm
NOMINAL	low speed	6 kW	20 kW	30 kW	35 kW	44 kW	50 kW	60 kW	75 kW
INPUT POWERS	high speed	9 kW	32 kW	55 kW	65 kW	78 kW	90 kW	110 kW	137 kW

Focal spots combinations: 0.3/0.6 - 0.6/1.2 - 0.6/1.3 - 0.6/1.5 - 1.0/2.0 and single focal spot 0.9

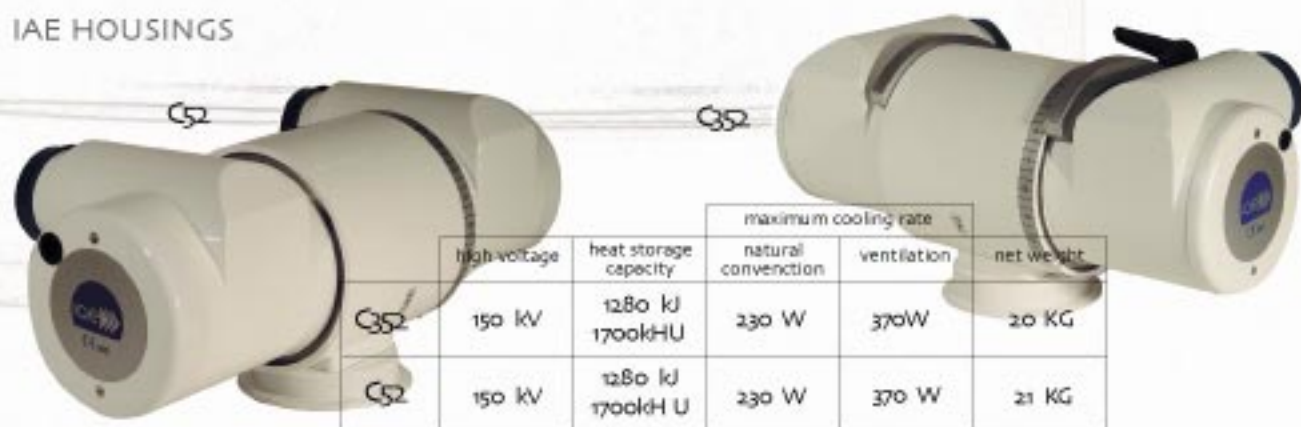


RTM 90

DIMENSIONS



IAE HOUSINGS



	high-voltage	heat storage capacity	maximum cooling rate		net weight
			natural convection	ventilation	
CG52	150 kV	1280 kJ 1700kJHU	230 W	370W	20 KG
CG53	150 kV	1280 kJ 1700kJ U	230 W	370 W	21 KG

RELOADING



CGR STATORIX 240
IAE CODE: CG52

CGR STATORIX 260
IAE CODE: CG53

PHILIPS ROTALIX 350
IAE CODE: CP52

COMET D09
IAE CODE: CC52

ORDERING GUIDELINES

TUBE TYPES

3000 rpm: RTM90H 0.3/0.6 • RTM90H 0.6/1.2 • RTM90H 0.6/1.3 • RTM90H 0.6/1.5 • RTM90H 1.0/2.0

3000-10000 rpm: RTM90HS 0.3/0.6 • RTM90HS 0.6/1.2 • RTM90HS 0.6/1.3 • RTM90HS 0.6/1.5 • RTM90HS 1.0/2.0

To assure that you receive the proper tube, please check the following information at the time of order:

- focal spots combination
- need for special version for reloading in GE-CGR, SIEMENS and PHILIPS housings
- (in case of complete unit order) horn angle of the tube housing high voltage receptacles and necessity of fan or heat exchanger
- any interface kit that may be required

Please note that standard focal spots combinations are 0.6/1.2 - 0.6/1.3 - 0.6/1.5

Should you still have questions about the compatibility of a replacement tube unit call our customer service:

+39 02 66303255