



#### APPLICATION

Rotating anode X-ray tube specifically designed for general radiographic, from medium to heavy duty x-ray systems. Large anode angle allows greater X-ray coverage field.

#### CHARACTERISTICS

- Bearing assembly and bearing lubricant system are designed for long life under hardest x-ray operating conditions
- Focal track in tungsten-rhenium alloy to prevent cracking
- High-thermal emittance oxide coating on anode and rotor provides high anode heat dissipation rate
- Severe tests during conditioning assure best performances
- Available also special versions for:
  - reloading in GE-CGR and SIEMENS housings (supplied with anode end adaptation piece)
  - PHILIPS equipment, to assure full filament emission compatibility

# ORTM 92

## ROTATING ANODE X-RAY TUBE FOR MEDIUM DUTY SYSTEMS

#### SPECIFICATIONS

- Maximum peak voltage \_\_\_\_\_ 150 kV
- Anode angle and diameter \_\_\_\_\_ 15° - 90 mm
- Maximum anode dissipation \_\_\_\_\_ 750 W (60 000 HU/min)
- Anode heat storage capacity \_\_\_\_\_ 225 kJ (300 kHU)
- Rotating anode speed \_\_\_\_\_ 3000 - 10000 rpm

#### FOCAL SPOTS AND POWERS

	FOCAL SPOTS	0.6 mm	1.0 mm	1.2 mm	1.5 mm	2.0 mm
NOMINAL	low speed	12 kW	30 kW	34 kW	50 kW	60 kW
INPUT POWERS	high speed	22 kW	54 kW	65 kW	90 kW	110 kW

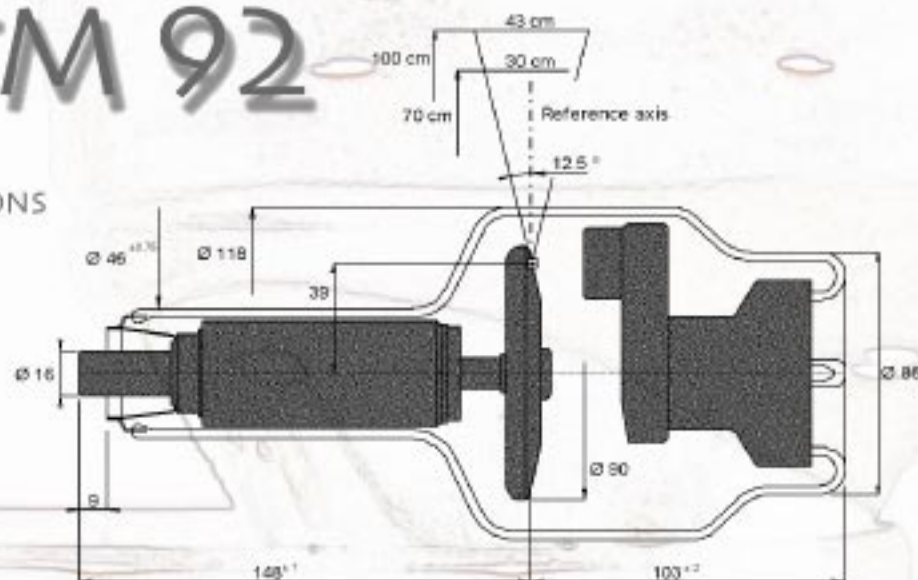
Focal spots combinations: 0.6/1.2 - 0.6/1.5 - 1.0/2.0



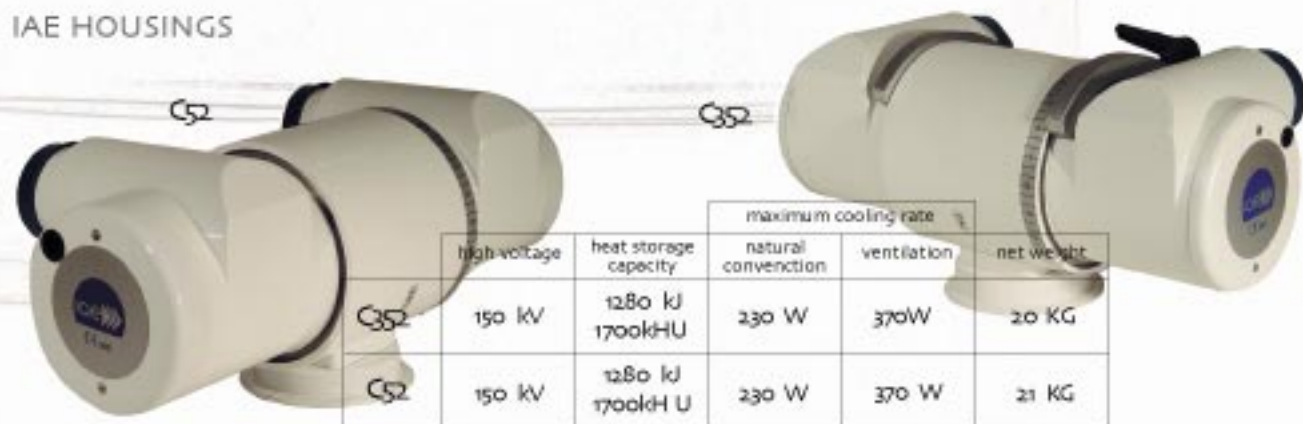
DIAGNOSTICS

# RTM 92

## DIMENSIONS



## IAE HOUSINGS



	high voltage	heat storage capacity	maximum cooling rate		net weight
			natural convection	ventilation	
CG52	150 kV	1280 kJ 1700kJHU	230 W	370W	20 KG
CG53	150 kV	1280 kJ 1700kJ U	230 W	370 W	21 KG

## RELOADING



**CGR STATORIX 240**  
IAE CODE: CG52

**CGR STATORIX 260**  
IAE CODE: CG53

**PHILIPS ROTALIX 350**  
IAE CODE: CP52

**COMET D09**  
IAE CODE: CC52

## ORDERING GUIDELINES

### TUBE TYPES

3000 rpm: RTM92H 0.6/1.2 • RTM92H 0.6/1.5 • RTM92H 1.0/2.0  
3000-10000 rpm: RTM92HS 0.6/1.2 • RTM92HS 0.6/1.5 • RTM92HS 1.0/2.0

To assure that you receive the proper tube, please check the following information at the time of order:

- focal spots combination
- need for special version for reloading in GE-CGR, SIEMENS and PHILIPS housings
- (in case of complete unit order) horn angle of the tube housing high voltage receptacles and necessity of fan or heat exchanger
- any interface kit that may be required

Please note that standard focal spots combinations are 0.6/1.2 - 0.6/1.5 - 1.0/2.0.

Should you still have questions about the compatibility of a replacement tube unit call our customer service:

+39 02 66303255