

DIAGNOSTICS



APPLICATION

Rotating anode X-ray tube for surgical C-arms.

CHARACTERISTICS

- TzM target with large thermal capacity
- Focal track in tungsten-rhenium alloy to prevent cracking
- High-thermal emittance oxide coating on anode and rotor provides high anode heat dissipation rate
- Focal spots combination to meet C-arms applications needs
- Severe tests during conditioning assure best performances

# X20P

## ROTATING ANODE X-RAY TUBE FOR SURGICAL C-ARM

SPECIFICATIONS

Maximum peak voltage \_\_\_\_\_ 130 kV  
Anode angle and diameter \_\_\_\_\_ 10° - 64 mm  
Maximum anode dissipation \_\_\_\_\_ 300 W (24000 HU/min)  
Anode heat storage capacity \_\_\_\_\_ 150 kJ (200 kHU)  
Rotating anode speed \_\_\_\_\_ 3000 rpm

FOCAL SPOTS AND POWERS

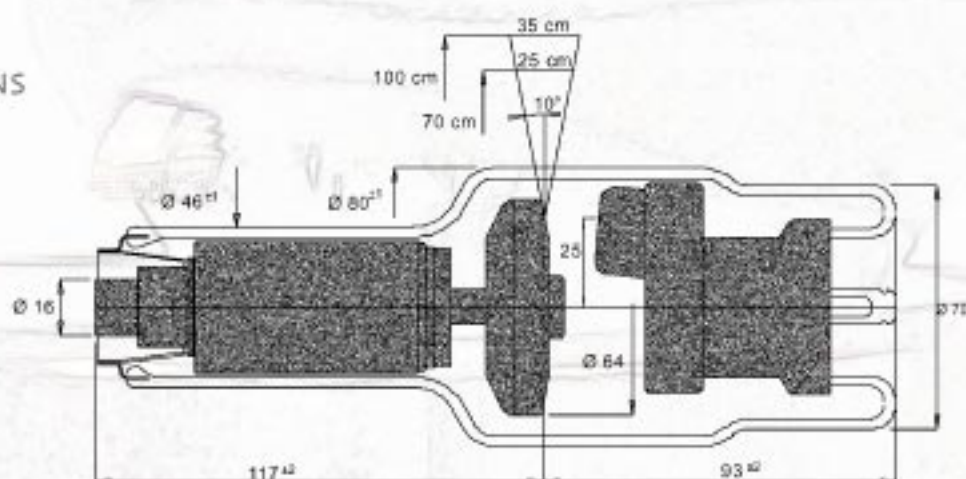
	FOCAL SPOTS	0.3 mm	0.6 mm
NOMINAL INPUT POWERS		6 kW	25 kW

Focal spots combinations: 0.6/2.0 - 1.2/2.0



# X20P

## DIMENSIONS



## IAE HOUSINGS

	high voltage	heat storage capacity	maximum cooling rate		net weight
			natural convection	ventilation	
C30	125 kV	500 kJ	140 W	700 W	15 KG



C30



Should you still have questions about the compatibility of a replacement tube unit call our customer service:  
+39 02 66303255