



APPLICATION

Rotating anode X-ray tube, compact and reliable, specifically designed for monoblocs and mobile systems

ROTATING ANODE X-RAY TUBE FOR MOBILE SYSTEMS

X22

CHARACTERISTICS

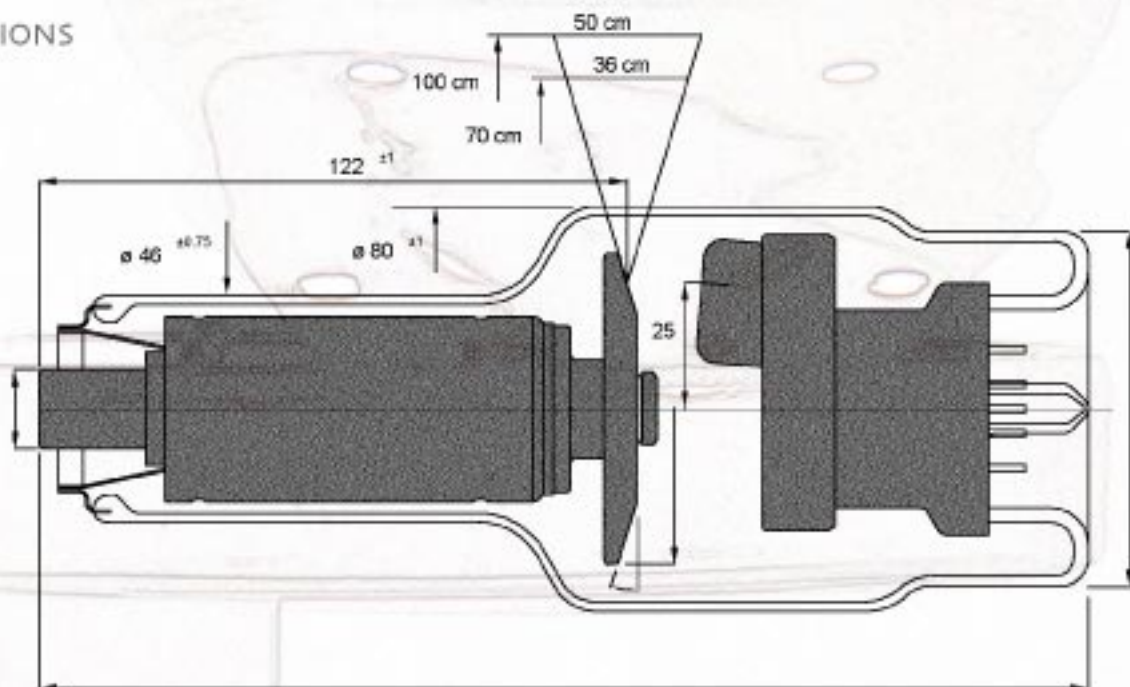
- TzM target with large thermal capacity
- Focal track in tungsten-rhenium alloy to prevent cracking
- High-thermal emittance oxide coating on anode and rotor provides high anode heat dissipation rate
- Wide range of focal spots combination to meet specific application needs
- Advanced tests simulate field operation to ensure best performances

CE 0051



X22

DIMENSIONS



SPECIFICATIONS

Maximum peak voltage	130 kV
Anode angle and diameter	15° - 64 mm
Maximum anode dissipation	300 (W 24000 HU/min)
Anode heat storage capacity	80 kJ (107 kWh)
Rotating anode speed	3000 rpm

FOCAL SPOTS AND POWERS

FOCAL SPOTS	0.3 mm	0.6 mm	0.8 mm	1.3 mm
NOMINAL INPUT POWERS	3.8 kW	11 kW	16kW	32kw

Focal spots combinations: 0.3/0.6 - 0.6/1.3 - 0.8/1.3 and single focal spot 0.8.

Should you still have questions about the compatibility of a replacement tube unit call our customer service:
+39 02 66303255

IAE SPA ITALY via Fabio Filzi. 53 20032 CORMANO MI tel +39 02 66303255 fax +39 02 6152544
IAE FRANCE sas 90, Blvd St.Michel 91150 ETAMPES tel +33 16 4948044 fax +33 16 4949956
iaexray@iae.it www.iae.it
iae france@wanadoo.fr