



APPLICATION

Rotating anode X-ray tube for general radiographic, medium duty x-ray systems.

CHARACTERISTICS

- Improved anode thermal capacity
- Bearing assembly and bearing lubricant system are designed for long life under hardest x-ray operating conditions
- Focal spot combinations allows for either high resolution imaging capabilities (0.6/1.2) or high available power for short exposure time (1.2/2.0)
- Severe tests during conditioning assure best performances
- Available also special version for reloading in GE-CGR and SIEMENS housings (supplied with anode end adaptation piece)

X50AH

ROTATING ANODE X-RAY TUBE
FOR MEDIUM DUTY SYSTEM

SPECIFICATIONS

Maximum peak voltage..... 150 kV
Anode angle and diameter..... 16° - 90 mm
Maximum anode dissipation..... 440 W (35 200 HU/min)
Anode heat storage capacity..... 150 kJ (200 kHU)
Rotating anode speed..... 3000 rpm

FOCAL SPOTS AND POWERS

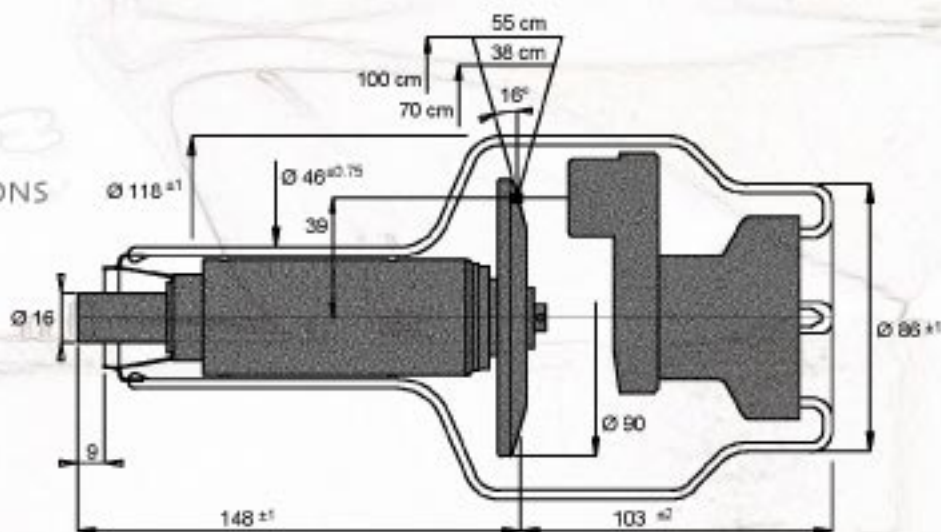
FOCAL SPOTS	0.6 mm	1.2 mm	2.0 mm
NOMINAL INPUT POWERS	11 kW	30 kW	50 kW

Focal spots combinations: 0.6/2.0 - 1.2/2.0



X50AH

DIMENSIONS



IAE HOUSINGS



	high voltage	heat storage capacity	maximum cooling rate		net weight
			natural convection	ventilation	
C352	150 kV	1280 kJ 1700kHU	230 W	370 W	20 KG
C52	150 kV	1280 kJ 1700kHU	230 W	370 W	21 KG



ORDERING GUIDELINES

TUBE TYPES

X50AH 0.6/2.0 • X50AH 1.2/2.0

To assure that you receive the proper tube, please check the following information at the time of order:

- focal spots combination
- (In case of complete unit order) horn angle of the tube housing high voltage receptacles and necessity of fan or heat exchanger
- any interface kit that may be required

Please note that standard focal spots combination is 1.2/2.0

Should you still have questions about the compatibility of a replacement tube unit call our customer service:
+39 02 66303255

IAE SPA ITALY via Fabio Filzi. 53 20032 CORMANO MI tel +39 02 66303255 fax +39 02 6152544 iaexray@iae.it www.iae.it
IAE FRANCE sas 90, Blvd St. Michel 91150 ETAMPES tel +33 16 4948044 fax +33 16 4949956 iaefrance@wanadoo.fr