



APPLICATION

Rotating anode X-ray tube specifically designed for diagnostic procedures in mammography.

CHARACTERISTICS

- Metal center section
- Molibdenum doped target
- Reduced thermal stress on the bearings improves tube life duration
- Severe tests during conditioning assure best performances

ROTATING ANODE X-RAY TUBE INSERT FOR MAMMOGRAPHY

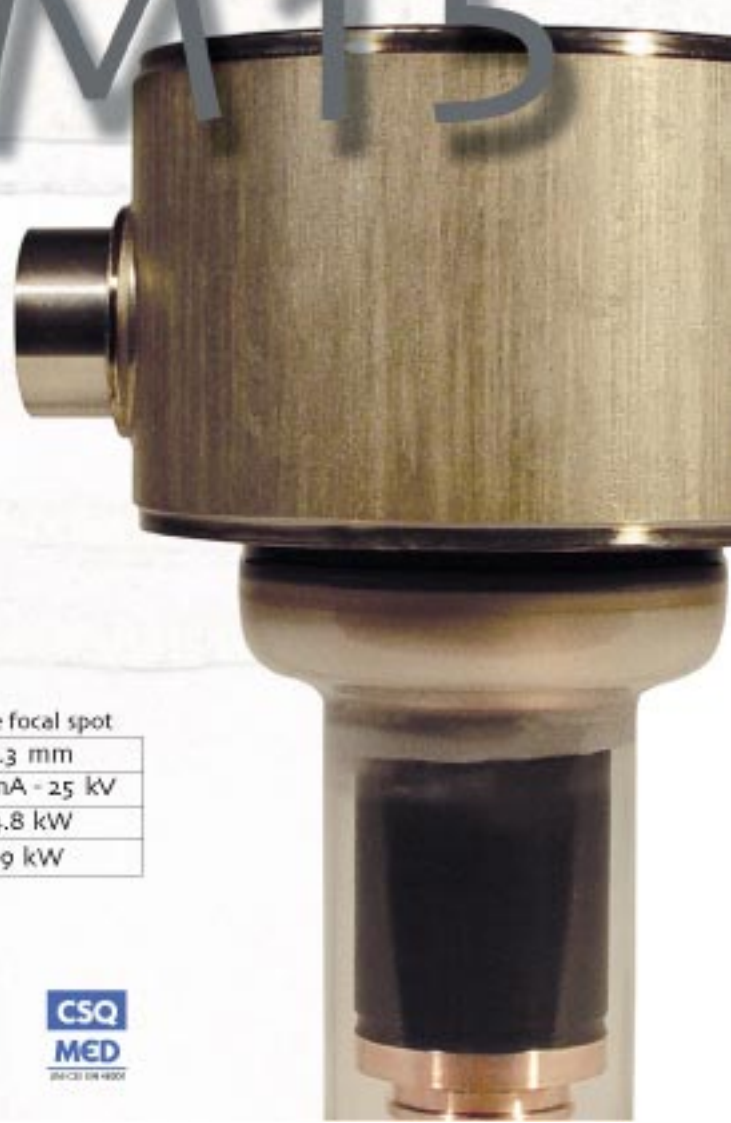
XM15

SPECIFICATIONS

Nominal X-ray tube voltage	40 kV
Anode angle	15°
Anode diameter	80 mm
Anode heat storage capacity	225 kJ (300 kWh)
Rotating anode speed	3000 - 10000 rpm

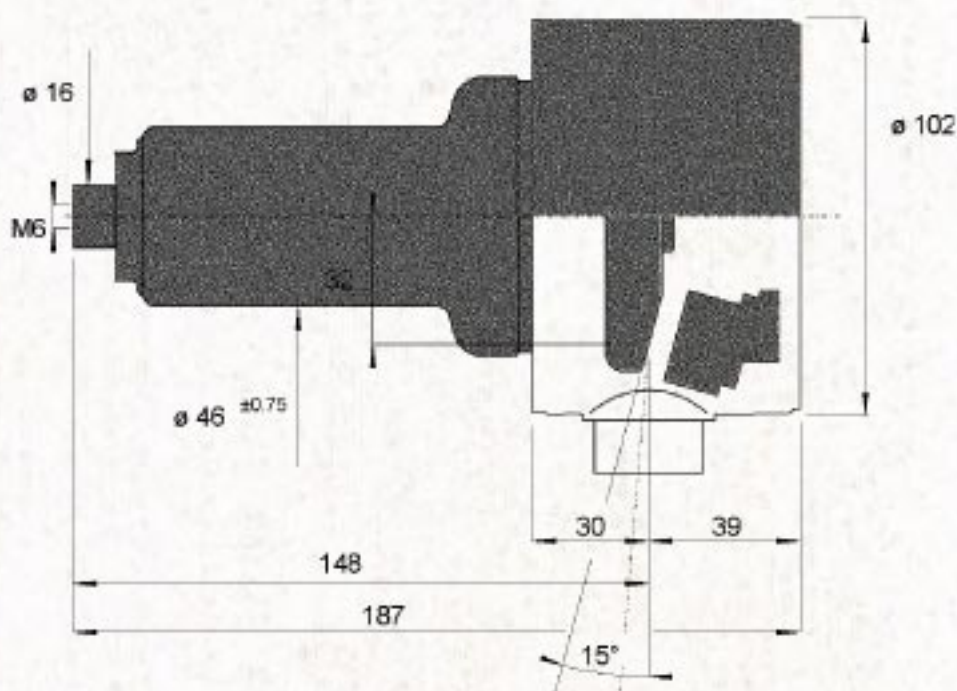
FOCAL SPOTS AND POWERS

		small focal spot	large focal spot
DIMENSIONS (IEC 336, EN 60336)		0.1 mm	0.3 mm
MAX EMISSION CURRENT		35mA - 25 kV	140 mA - 25 kV
NOMINAL ANODE INPUT POWER	low speed	1.15 kW	4.8 kW
	high speed	2 kW	9 kW



XM15

DIMENSIONS



IAE HOUSINGS

	high voltage	heat storage capacity	maximum cooling rate	net weight
C339	40 kV	320 kJ	80 W	13 kg



C339E

Special lateral HV and LV sockets (VARIAN version)



C339C

Special coaxial HV and LV sockets (COMET version)

Should you still have questions about the compatibility of a replacement tube unit call our customer service:
+39 02 66303255

IAE SPA ITALY via Fabio Filzi. 53 20032 CORMANO MI tel +39 02 66303255 fax +39 02 6152544 iaexray@iae.it www.iae.it
IAE FRANCE sas 90, Blvd St.Michel 91150 ETAMPES tel +33 16 4948044 fax +33 16 4949956 iaefrance@wanadoo.fr