



IAE spa  
via F.Filzi 53  
20032 CORMANO MI  
tel. +39 02 66303255  
fax +39 02 6152544  
e-mail [iaexray@iae.it](mailto:iaexray@iae.it)

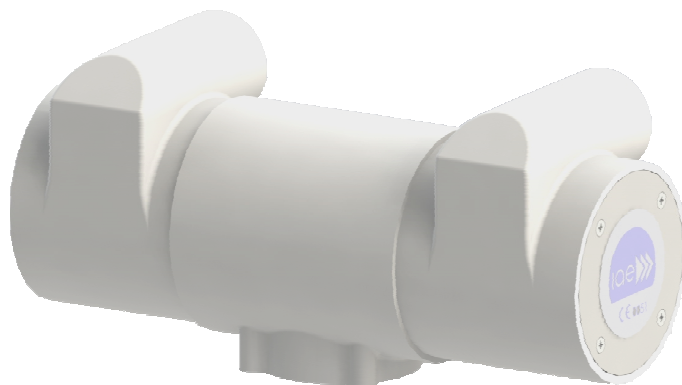


# C20

Rotating anode X-ray tube unit  
for mobile systems

## Application

Rotating anode X-ray tube unit specifically designed for mobile x-ray equipment with film and digital detectors.



## Characteristics

- New compact lightweight housing, specifically designed for mobile equipment
- Compact dimensions, 110 mm diameter and 350 mm length
- Tube inserts up to 54 kW peak radiographic power at high rotation speed
- Lead lined aluminium body.
- Filled under vacuum with insulating oil, specially processed.
- Three devices are present for thermal safety:
  1. a bimetallic thermal switch, fitted internally
  2. a bimetallic thermal switch, internally assembled, series connected with stator common cable
  3. a microswitch, installed on cathode end, activated by bellow expansion
- H.T. cable sockets: Claymount type MINI75 4 pin

## Inserts for reloading

- X22
- RTM 30 HS

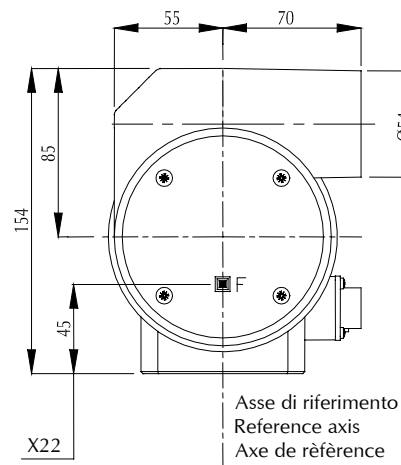
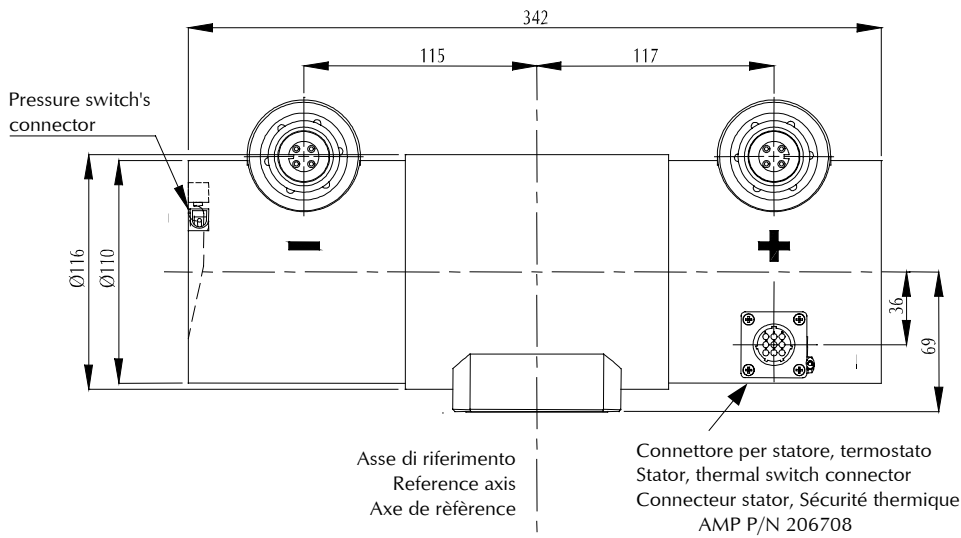
## Specifications

Overall length	342 mm
Maximum diameter	116 mm
Tube assembly net weight	8.2 kg
Nominal X-ray tube assembly voltage	125 kV
Maximum tube assembly heat content	300 kJ
Maximum continuous heat dissipation	100 W
Minimum tube assembly inherent filtration	1.2 mm Al / 75 kV
Maximum leakage radiation at 1 m from focal spots	0.176 mGy/h

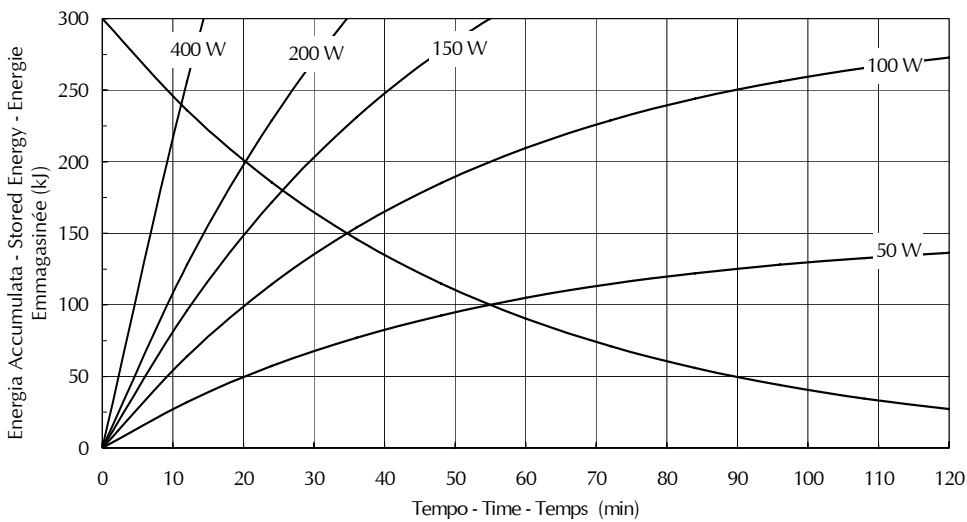
C20 Rev 0 - 19.02.2018



## Dimensions



## Tube assembly heating and cooling curves



Should you have questions about the compatibility of a replacement tube unit call our customer service: +390266303255.

© copyright iae spa  
Data may vary without notice



**IAE spa**  
via F. Filzi 53  
20032 Cormano MI - Italy  
tel. +39 02 66303255  
fax +39 02 6152544  
e-mail iaexray@iae.it